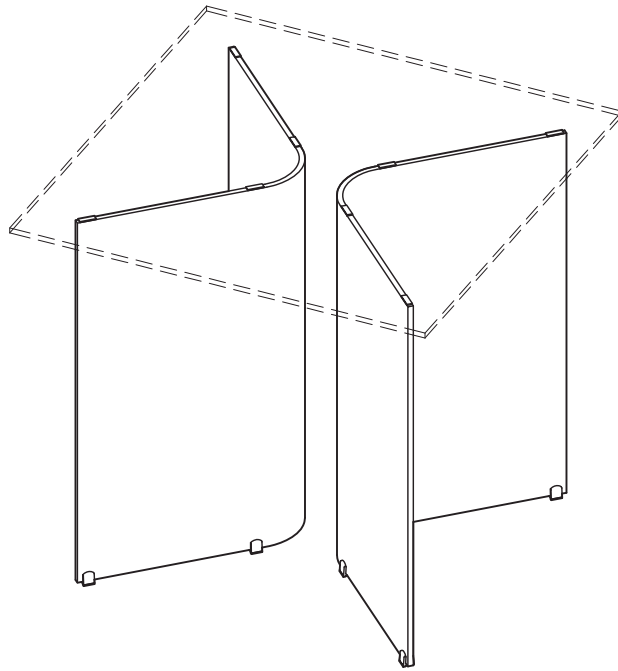


## Apollo glass table

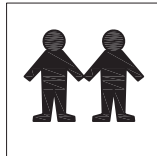
Thank you for purchasing this Apollo glass table. Please read the instructions and warnings carefully before use to ensure safe and satisfactory operation of this product.



### Pre-assembly preparation

Please ensure instructions are read in full before attempting to assemble this product.

#### Necessary Tools

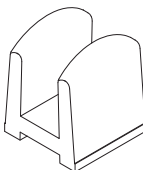


Please check the pack contents before attempting to assemble this product. A full checklist of components is given in this leaflet.

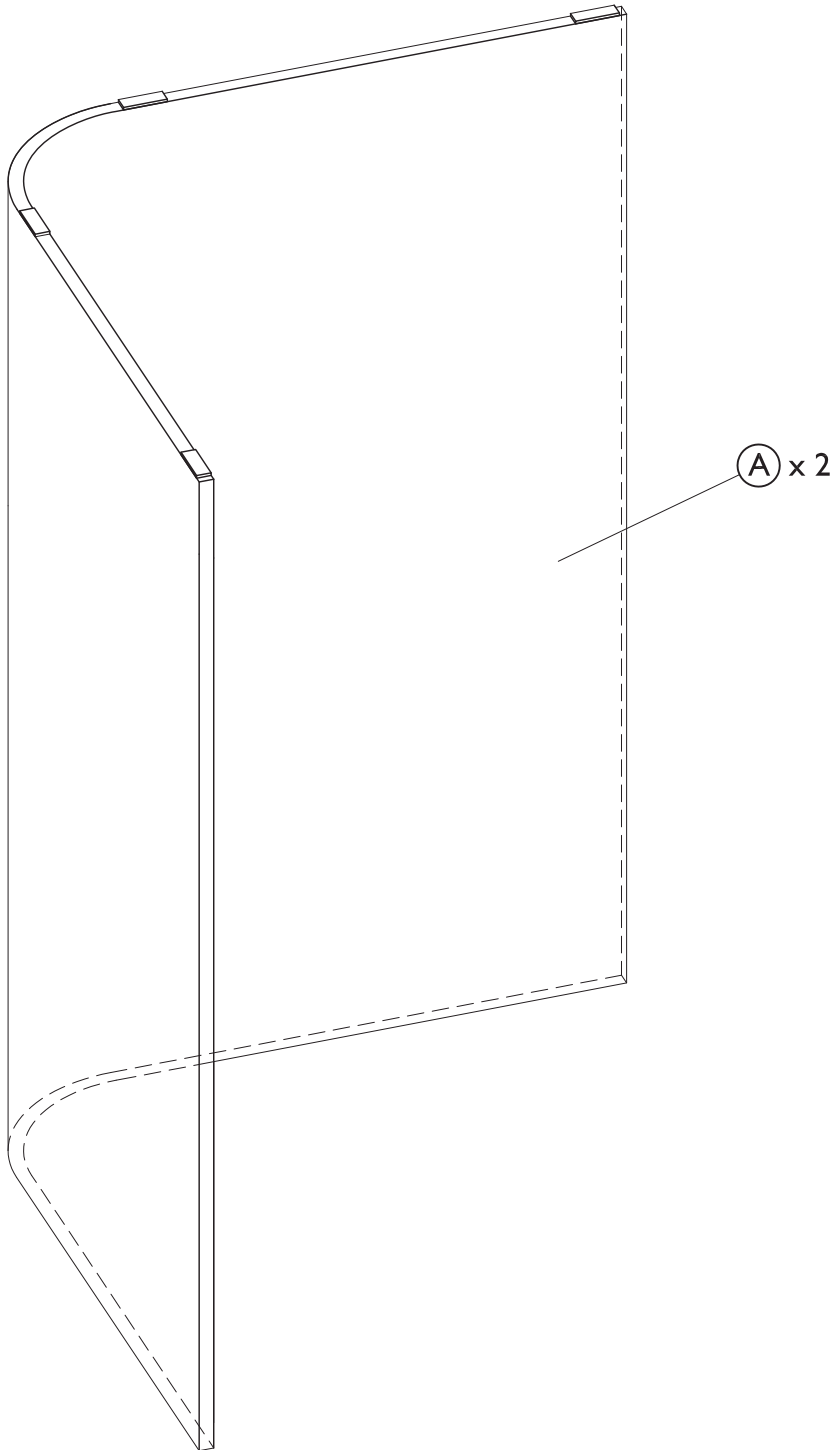
Assemble as near as possible to the point of use. **TAKE CARE WHEN LIFTING THIS HEAVY PRODUCT** to avoid personal injury and/or damage to the product. **THIS IS A TWO PERSON ASSEMBLY.**

The product takes approximately 30 minutes to assemble. We have included small labels on the edges of panels for identification. Please use these to guide you for greater ease of assembly.


The fittings pack contains **SMALL ITEMS** which should be **KEPT AWAY FROM YOUNG CHILDREN.**

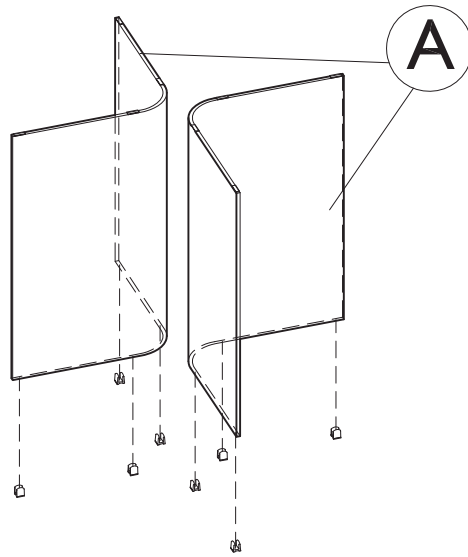
Fixings Checklist	
<p>1</p>  <p>Foot x 8</p>	<p>There will be a small quantity (10%) of extra spare fixings included.</p>

Parts Checklist	Please do not discard any packaging until you are sure that you have all the parts.
A x 2	



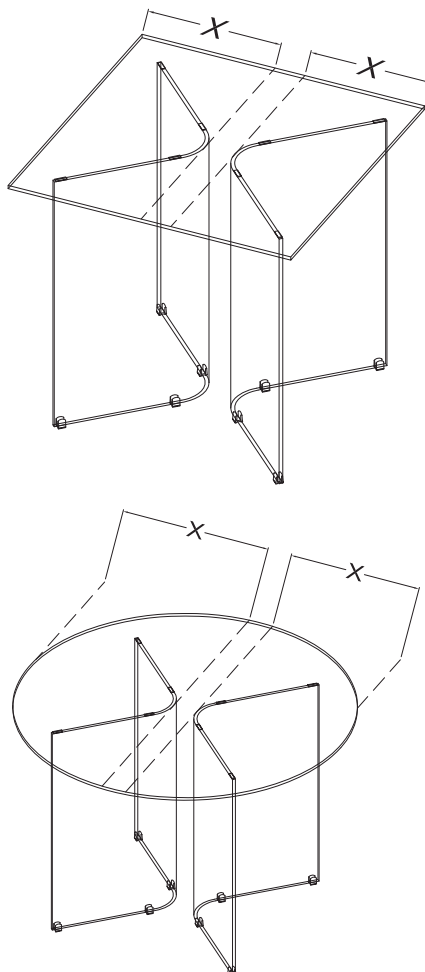
Step 1

Fixing 01 x 8 pcs 

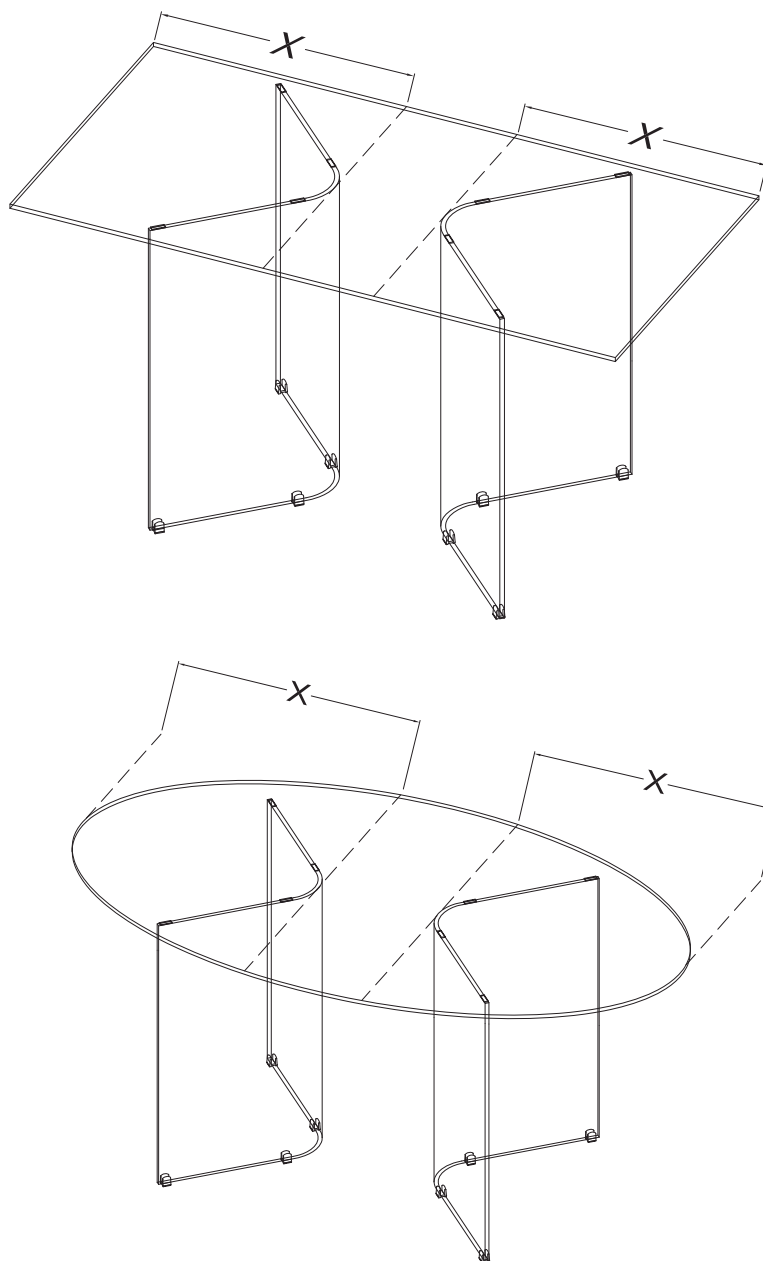


Using 2 people, tilt the glass bases and clip on 8 x foot as shown.

Step 2



Step 2 (continued)



Using 2 people lift the glass bases into position, (do not drag).

Place your top, (depending on the model chosen), on the top of bases as shown in Step 2.

To reposition top please lift, don't drag.

NOTE: to ensure stability of your table, the bases should be positioned so that they comply with dimension **X** figures in the table below:

	<b>Dimensions</b>	<b>X<sub>min</sub></b>	<b>X<sub>max</sub></b>
<b>Square</b>	90 x 90 cm	<b>32 cm</b>	<b>43 cm</b>
	110 x 110 cm	<b>35 cm</b>	<b>52 cm</b>
	130 x 130 cm	<b>35 cm</b>	<b>56 cm</b>
<b>Round</b>	ø110 cm	<b>42 cm</b>	<b>56 cm</b>
	ø130 cm	<b>42 cm</b>	<b>51 cm</b>
<b>Rectangular</b>	L120 x W80 cm	<b>35 cm</b>	<b>45 cm</b>
	L160 x W90 cm	<b>35 cm</b>	<b>57 cm</b>
	L180 x W90 cm	<b>35 cm</b>	<b>64 cm</b>
<b>Oval</b>	L160 x W90 cm	<b>56 cm</b>	<b>58 cm</b>

## Care and maintenance

Your furniture may be cleaned by wiping with a damp cloth and drying with a soft clean cloth.

Please do not use abrasives, bleach, alcohol or ammonia-based household polishes.

Take care when handling or moving the furniture. Careless handling may cause damage.

**Warning:** Glass can scratch! Please take care when placing hard / sharp / rough items on the surface. It is advisable to use a suitable mat for example when using the table for eating. Certain items of crockery can easily scratch the surface during daily use. Never cut directly onto the surface of the glass.

## Safety notes

Furniture can be dangerous if incorrectly installed. Assembly should be carried out by a competent person. No liability will be accepted for damage or injury caused by incorrectly installed or assembled furniture.

The fittings pack contains SMALL ITEMS which should be KEPT AWAY FROM YOUNG CHILDREN.

Please do not discard any packaging until you are sure that you have all the parts.

Please do not place hot items on glass surfaces without a sufficiently thick table mat being used.

Please do not drag heavy items across the surface as this could scratch the surface.

Please do not use any cleaning item that contains abrasives as this can scratch the surface.

Please do not sit or stand upon glass surfaces due to danger of breakage.

Please do not strike the glass with hard or pointed items.

Periodically check all fixings to ensure none have come loose.

Please retain this information leaflet for future reference.

This product complies with BS 7376: 2004