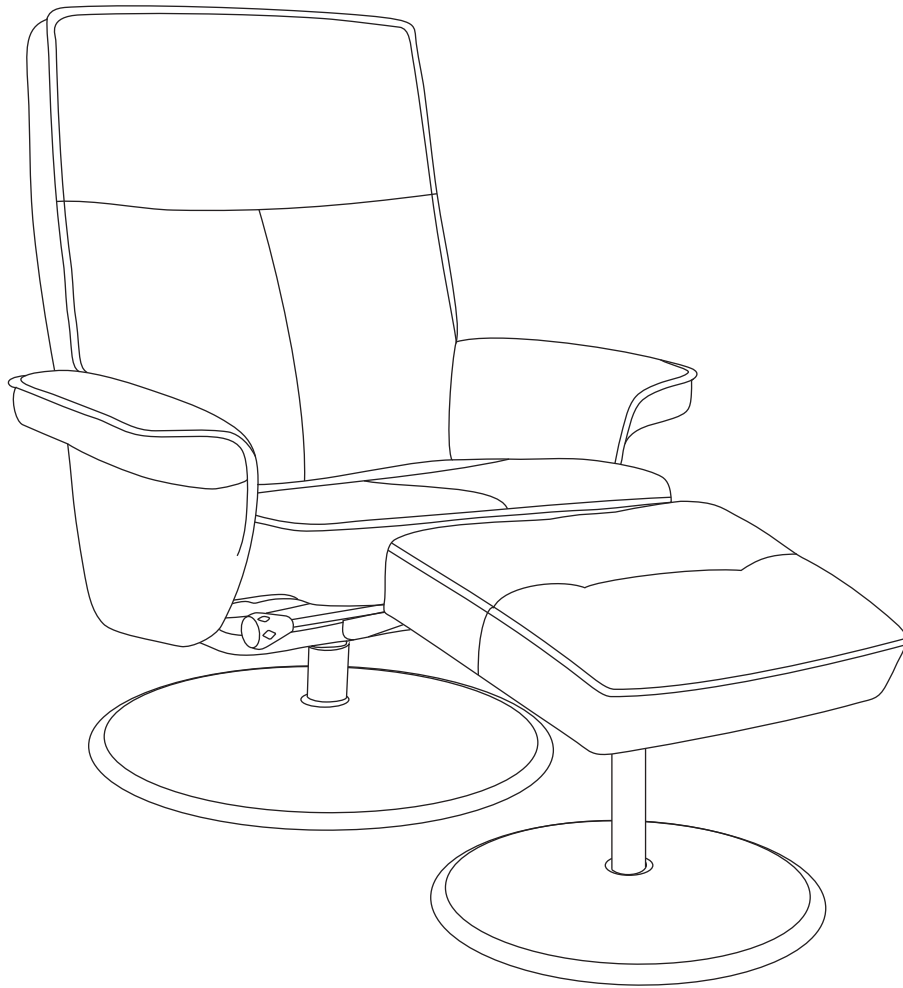
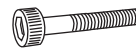
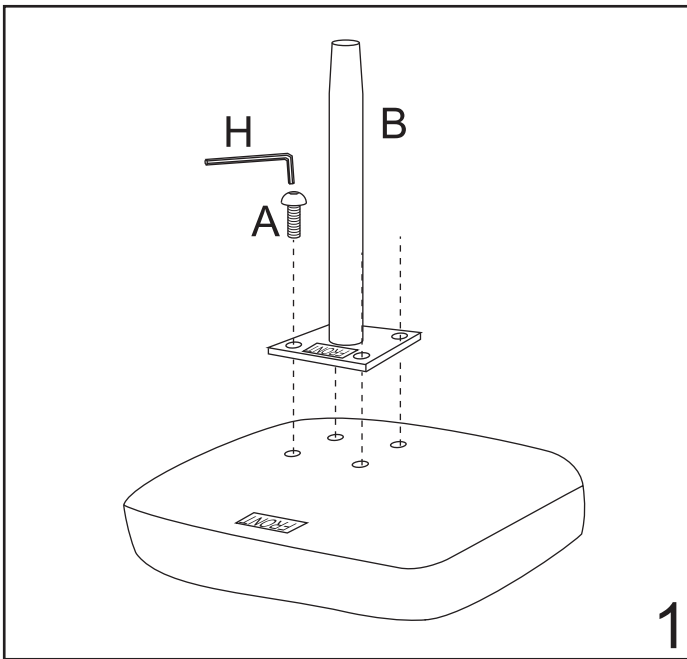




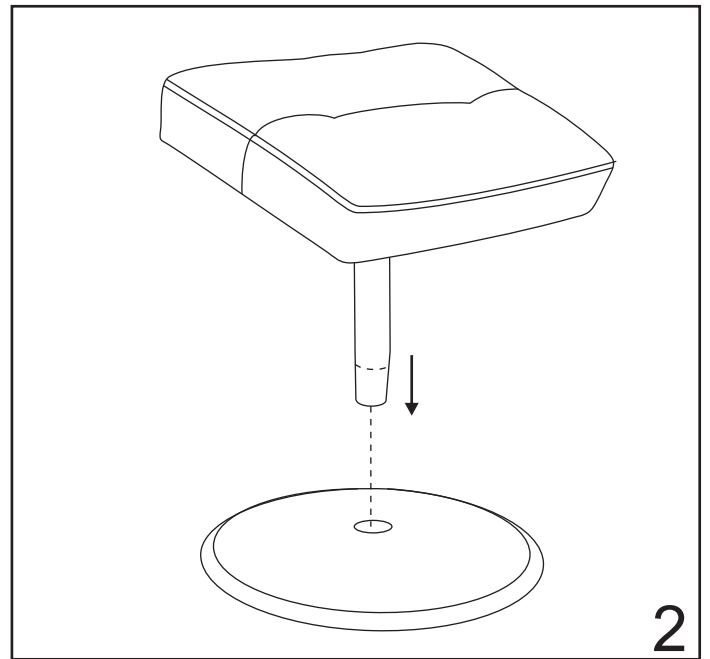
Assembly Instructions for 7599C Recliner & Footstool



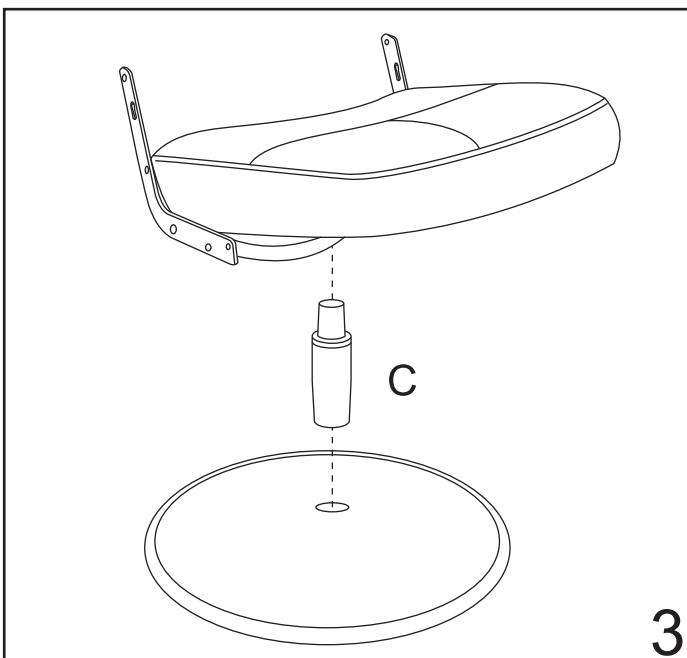
	Parts	Description	Size	Qty
A		Bolt	M6X20mm	4
B		Footrest Stem		1
C		Chair Stem		1
D		Bolt	M8X35mm	3
E		Bolt	M6X20mm	6
F		Locking Arm		1
G		Allen Key	6mm	1
H		Allen Key	4mm	1



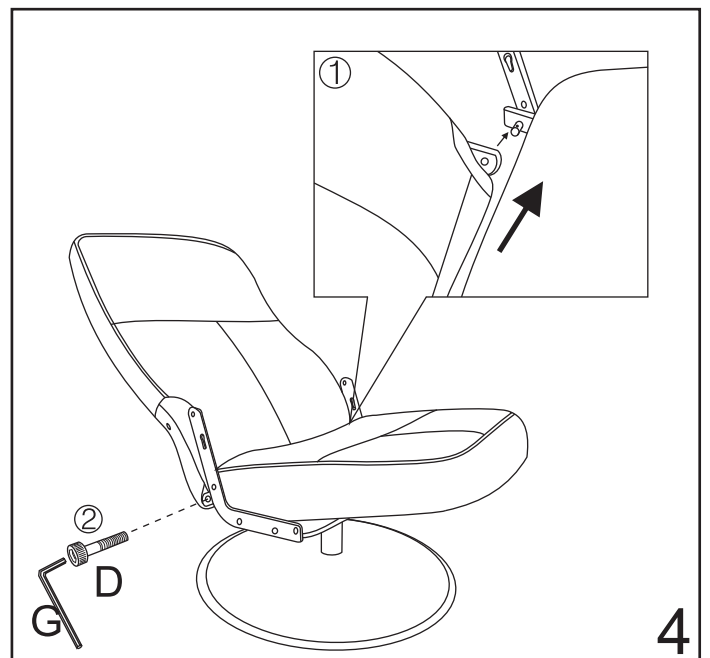
1. Place footrest cushion upside down on soft clean surface, take part (B) line up holes in base of footstool cushion, take bolt (A) screw into base of footstool tighten with Allen key (H)



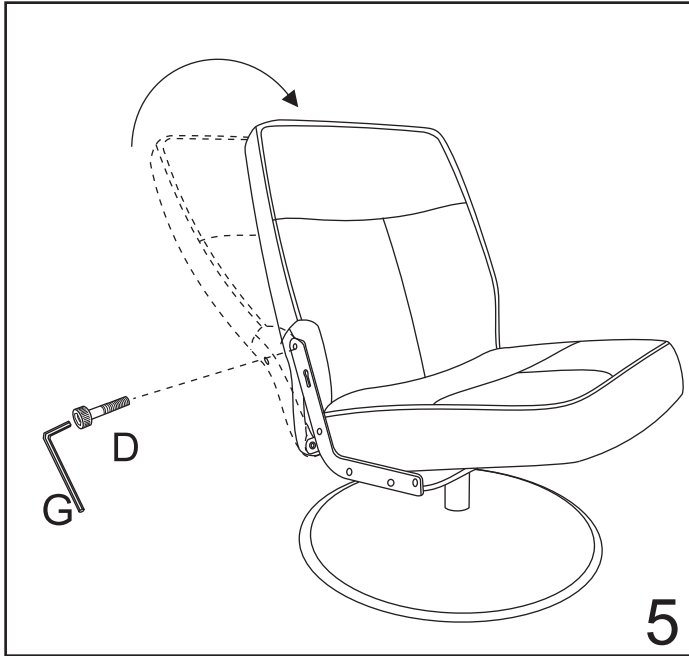
2. Place open end of stem into the smaller round base. Footstool Complete.



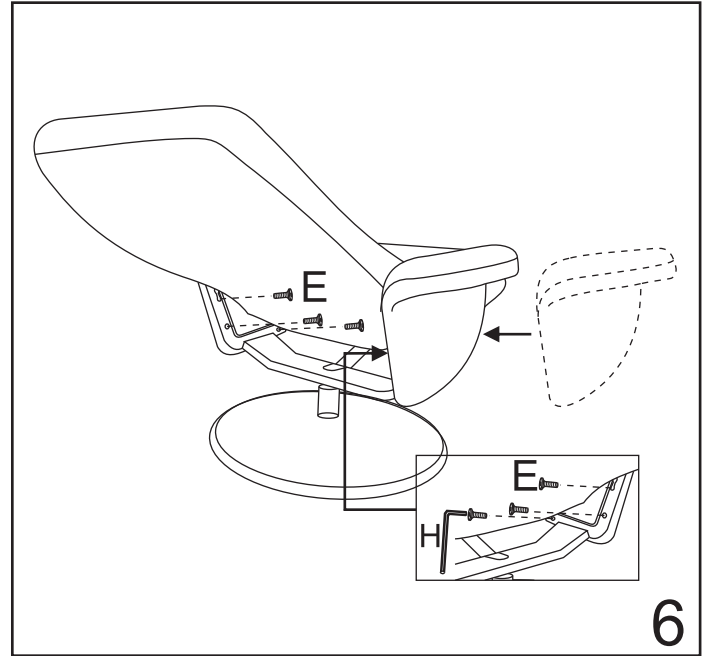
3. Place large round disc of a soft clean area; insert part (C) into hole of disc use thicker tapered end. Place seat section onto top of stem.



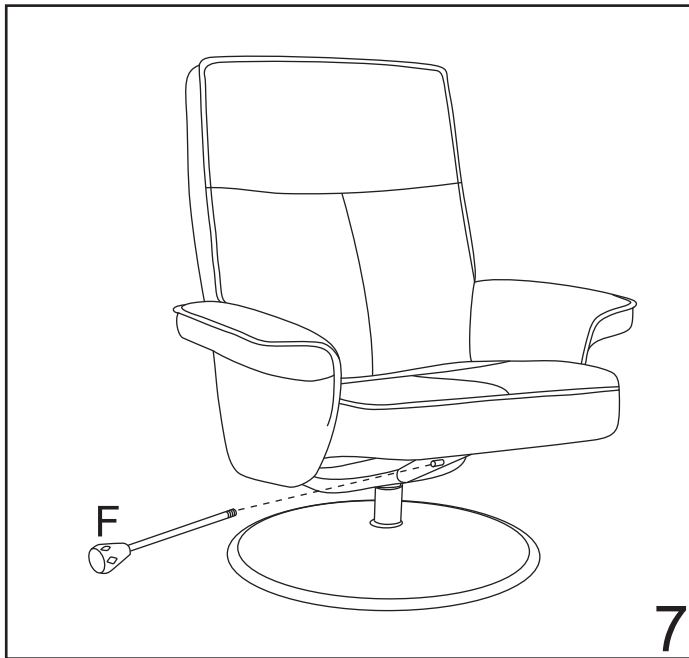
4. Backrest attaches by 2 steps 1st hook right hand side facing into slot at rear of seat, 2nd Line up hole on seat & back then insert bolt (D) tighten with Allen key (G).



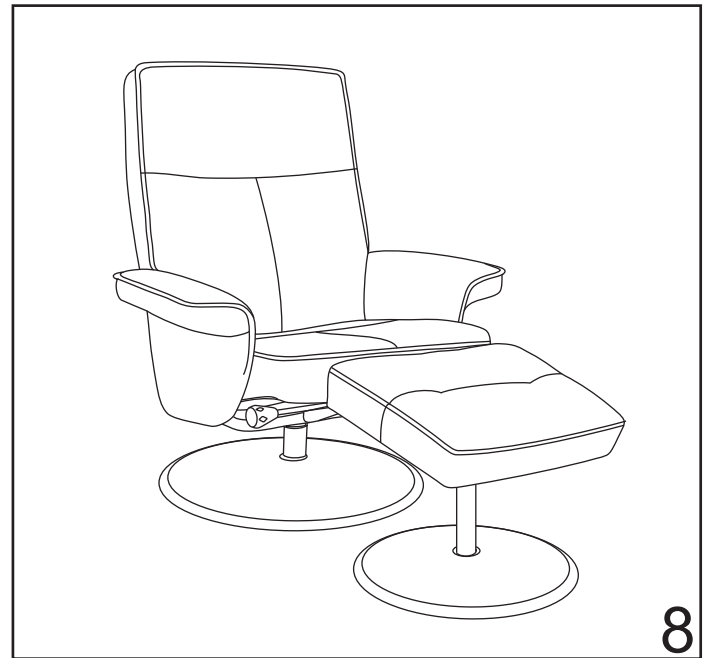
5. Raise back rest to line up holes on both sides with frame attached to seat, place bolt (D) in both side. Note tighten by hand till both bolts in place, then tighten with Allen Key (G).



6. To fit arms you must pull back rest down to expose holes from inside of chair arm. Please start all screws (E) in by hand before tightening any. Fit as per diagram 6. Then tighten with Allen Key (H).



7. Fit Locking Arm (F) into threaded hole in centre of seat frame as per diagram 7. Ready for use.



*Please refer to label attached to base of chair for care & maintenance

MADE IN CHINA
IMPORTED BY FURNITURE SOLUTIONS (AUST)