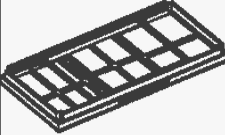







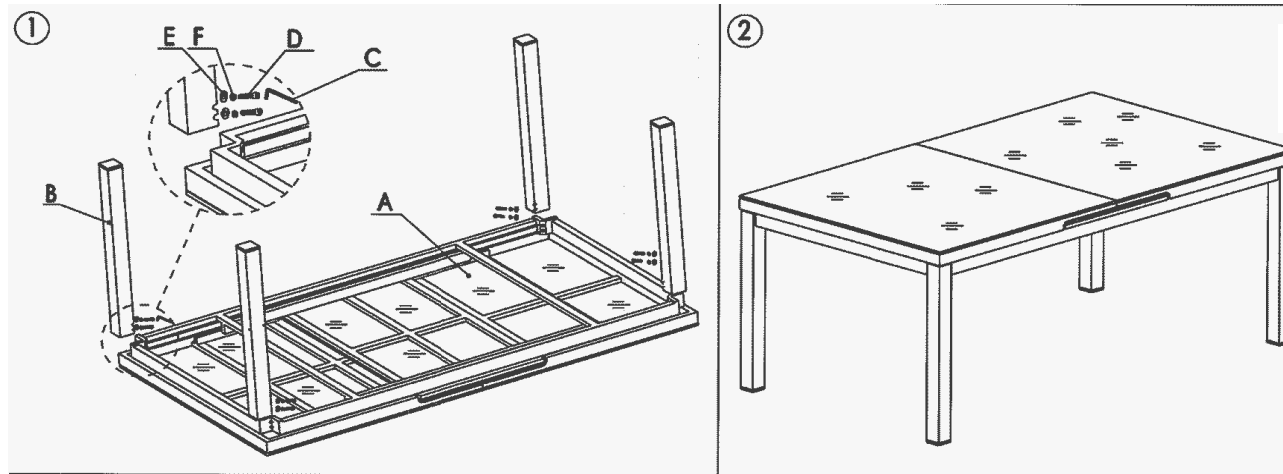
**Components**

A		X 1
B		X 4

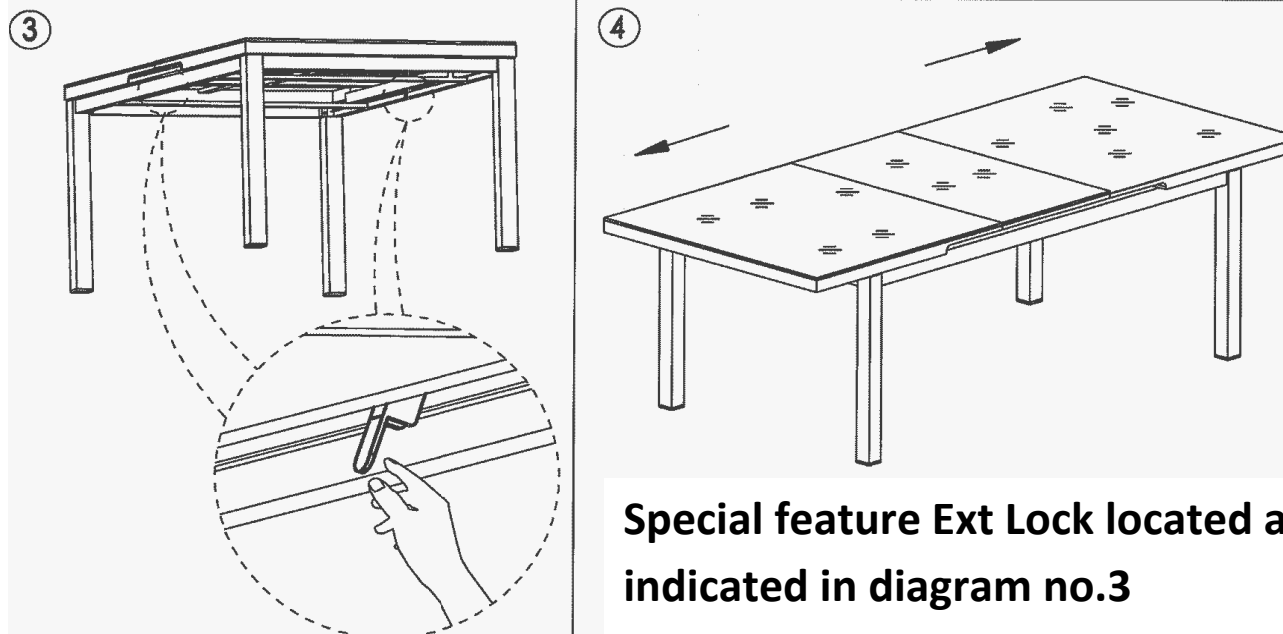
**Parts**

C	 D5*70	X 1
D	 M8*35	X 8
E	 M8	X 8
F	 M8	X 8

Helpful hints to make assembly stress free. Ensure surface area you are working with is level, clean & has soft surface. Start fitting bolts by hand to seat properly before using hex's spanner, do not fully tighten, once all fitted with the help of another person, flip table over onto level surface then fully tighten. Contact Furniture Solutions if any parts are missing: Email [customerservice@furnitureolutions.com.au](mailto:customerservice@furnitureolutions.com.au) PH: 1300 794 188 (Aust)



**2 Person Lift**



**Special feature Ext Lock located as indicated in diagram no.3**