





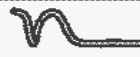












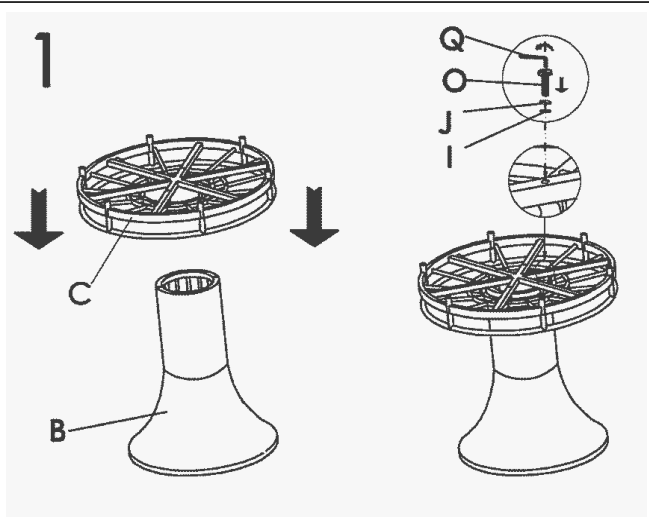
Components

A		x1
B		x1
C		x1
D		x1
E		x1
F		x1
G		x1
H		x2

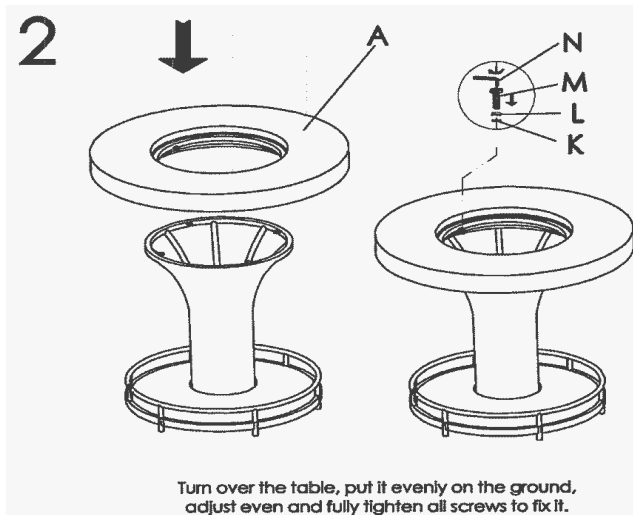
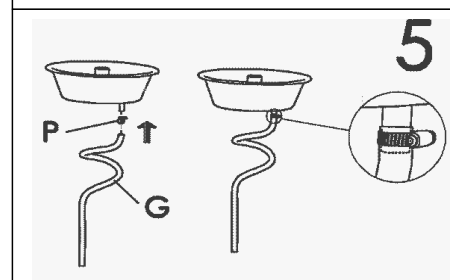
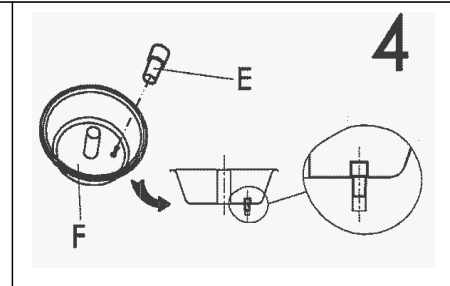
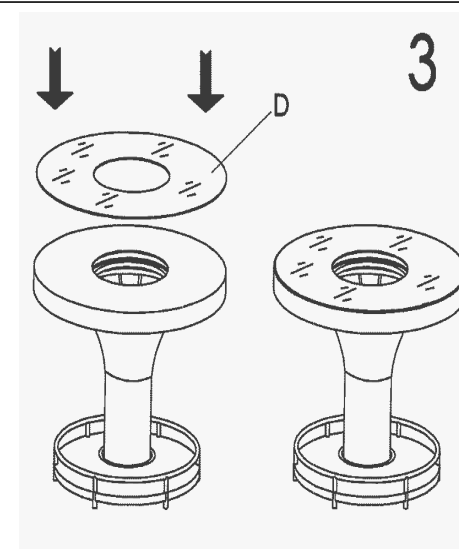
Parts

I		1/4	x6
J		1/4	x6
K		M8	x4
L		M8	x4
M		M8*30	x4
N		M8	x1
O		1/4*50	x6
P			x1
Q		1/4	x1

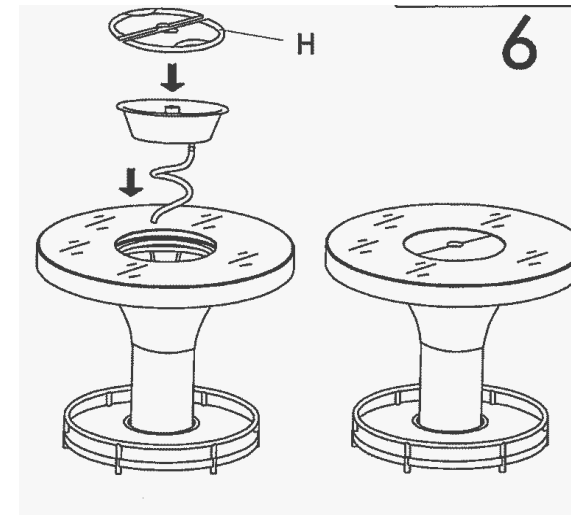
Helpful hints to make assembly stress free. Ensure surface area you are working with is level, clean & has soft surface. Important that when assembling base to only hand tighten bolts till you have made level follow direction in diagrams below. Do not fully tighten any bolts till all bolts fitted in each step below. Contact Furniture Solutions if any parts are missing: Email customerservice@furnitureolutions.com.au PH: 1300 794 188 (Aust)



Warning: Do NOT fully tighten the screws to avoid the table cannot be adjust evenly when turning over.



Turn over the table, put it evenly on the ground, adjust even and fully tighten all screws to fix it.



2 Person Lift