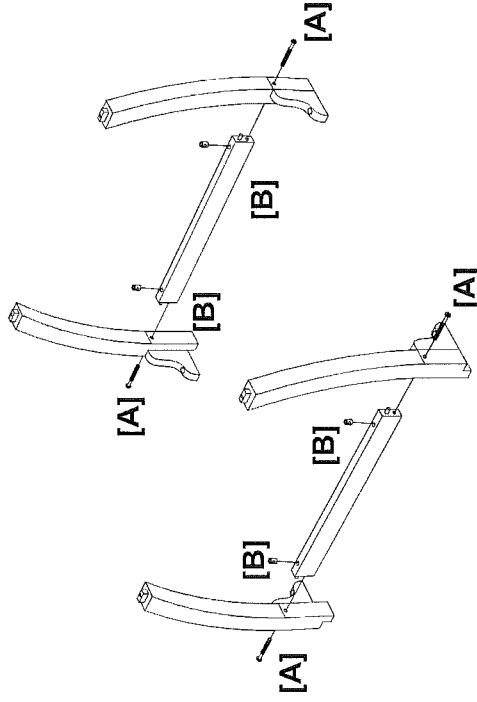


Parts

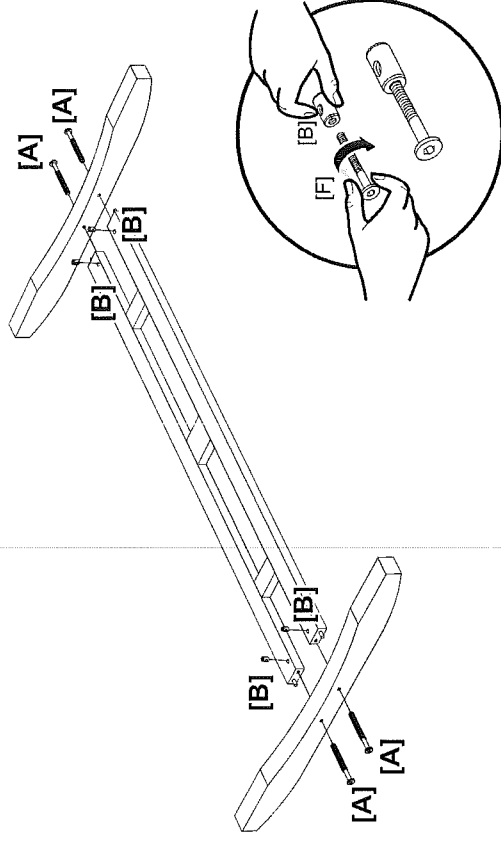
[A]		x 8
[B]		x 8
[C]		x 4
[D]		x 4
[E]		x 4
[F]		x 1
[G]		x 2

Helpful hints to make assembly stress free. Ensure surface area you are working with is level, clean & has soft surface. Bolt (F) is used to hold nut for part (B) and not part of assembly. Do not fully tighten any bolts till all bolts fitted. Stand feet on feet before you tighten bolts. Contact Furniture Solutions if any parts are missing:
 Email customerservice@furnitureolutions.com.au PH: 1300 794 188 (Aust)

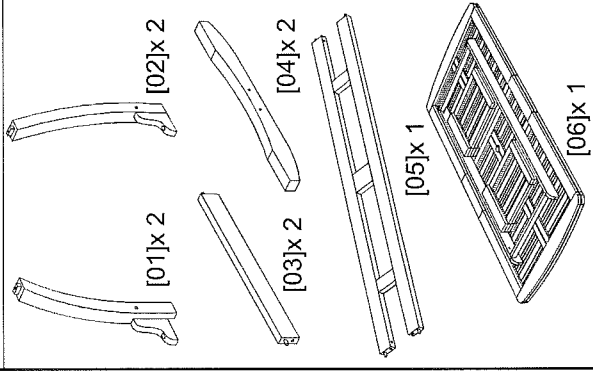
[1]



[2]



[3]



[4]

