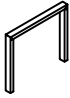
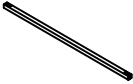
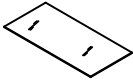







**Before you start please check all components**

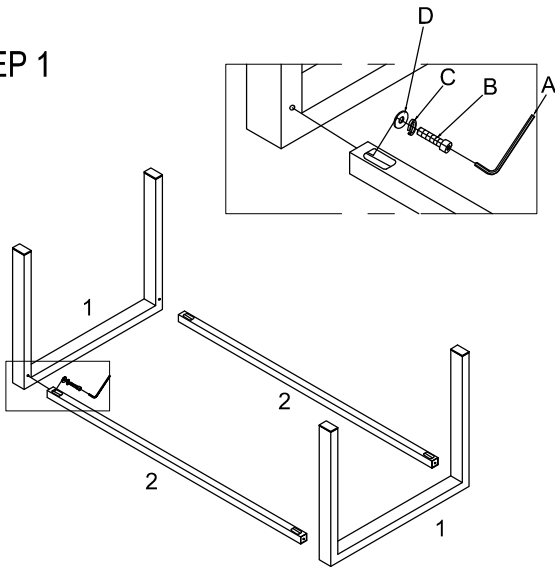
**PROUDT COMPONENTS**

1		900*755*80mm	*2
2		1640*40*40mm	*2
3		1639*900*12mm	*1

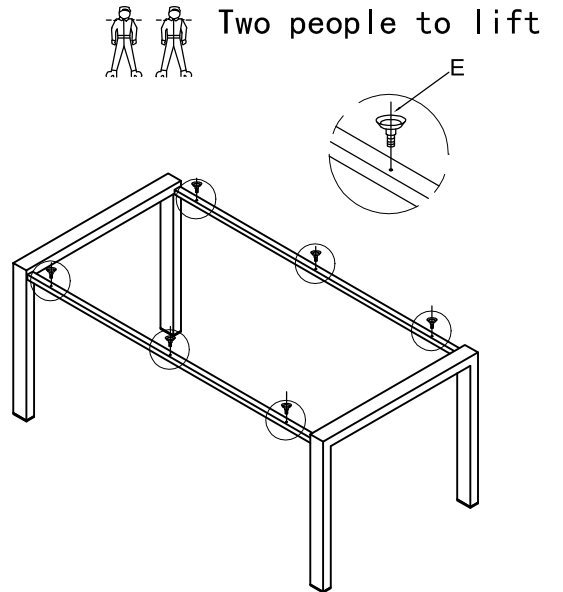
**HARDWARE LIST**

A		6mm	*1
B		M8*25	*4
C		M8	*4
D		(Ø18-Ø8)*1.5	*4
E		M6	*6

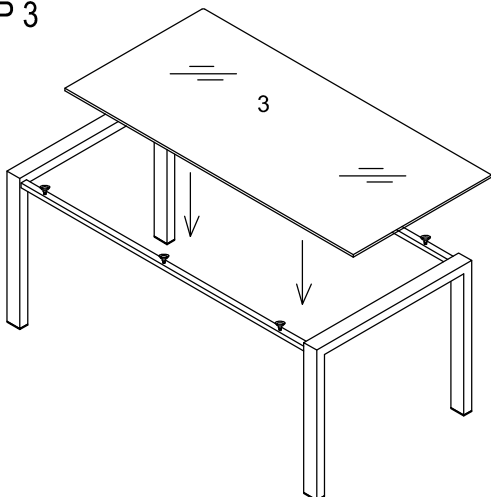
**STEP 1**



**STEP 2**



**STEP 3**



**FINISHED**

