
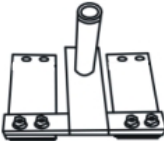






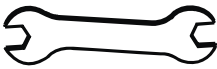


= Furniture Solutions =

Melia Swivel Chair

PART#	DESCRIPTION	PICTURE	Q'TY
A	SEAT AND BACK FRAME		1
B	T-ROCKER		1
C	STEEL PLATE		4
D	BASE		1
E	BOLT M8x40		4
F	NUT		4
G	WASHER		4
H	BOLT COVER		4
I	OPEN WRENCH		2

NOTE: For ease of assembly, it is necessary for two people to assemble this chair!

Don't tighten Bolts until Product is completely assembled.

1. Attach the T-Rocker (B) to seat and back frame's "U" bar (A) with bolts (E), steel plate (D), washers (G), and nuts (F). Make sure the holes in steel plate are completely aligned with the holes in "U" bar as shown in figure 1. Tighten all bolts and nuts with open Wrench (I), cover all bolts with bolt cover (H). (Figure 1)

Note: Make sure the T-Rocker is assembled correctly.

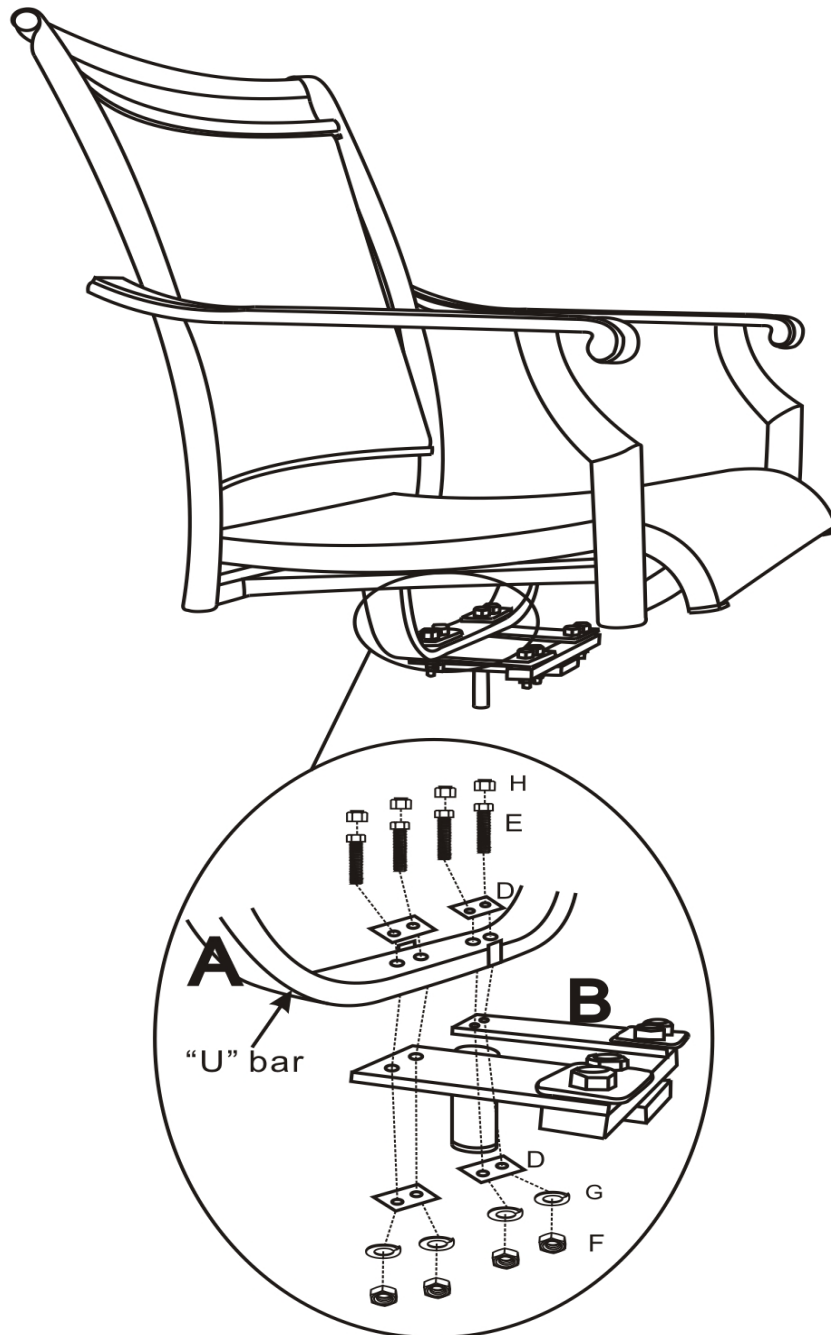


FIGURE 1

2. Insert the chair seat and back frame (A) into base (D). (Figure 2)

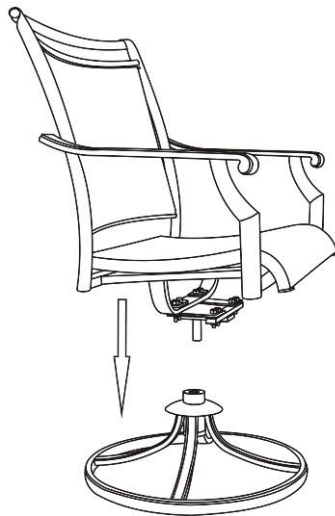


FIGURE 2

3. Check all nuts are tight periodically, and be sure the chair is assembled tightly and stable before you use. (Figure 3)



FIGURE 3

Your chair is ready to use.

NOTE: Repeated assembly can weaken the locking ability of the washers. Periodically check all bolted connections on your furniture to make sure they are tight and secure. Retain these instructions for future reference.

CARE & MAINTENANCE

Your table should be washed with a mild solution of soap and water. Rinse with clean water and dry with a soft towel. **DO NOT** use bleach or strong solvents to clean any of your patio furniture.

STORAGE SUGGESTIONS

Always be sure to drain any water accumulated on the furniture. The best way to maintain your furniture & cushions is store them in dry areas out of the elements. Covering is recommended with commercially available furniture covers, when your furniture is not in use.

Using your furniture under cover is recommended.

Made In China

Imported By Furniture Solutions (Aust) Pty Ltd