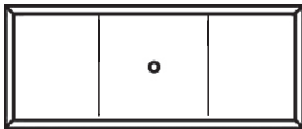

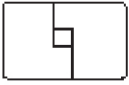
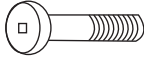
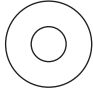


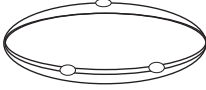
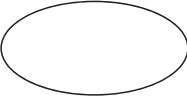



= Furniture Solutions =

Palms Metro Table with Lazy Susan

PART	DESCRIPTION	PICTURE	QTY
A	TABLE RIM WITH GLASS TOP		1
B	TABLE LEG		4
C	LEG CONNECTOR RING		1
D	BOLT M6X30 (Pre-attached to table legs)		8
E	WASHER (Pre-attached to table legs)		8
F	BOLT COVER		8
G	HEX SCREW DRIVER		2
H	PLASTIC BASE FOR LAZY SUSAN		1
I	GLASS FOR LAZY SUSAN		1
J	BOTTLE OF TOUCH-UP PAINT		1

1. CAREFULLY PLACE THE TABLE RIM WITH GLASS TOP (A) ON A SOFT SURFACE WITH THE UNDERSIDE FACING UP.
2. REMOVE THE BOLTS (D) AND WASHERS (E) FROM THE TABLE LEGS (B).
3. SLIDE ALL FOUR TABLE LEGS (B), WITH THE GLASS BUMPERS FACING THE UNDERSIDE OF THE GLASS TOP, INTO THE PLASTIC LEG BRACKETS ATTACHED TO THE TABLE RIM. **FIGURE 1**

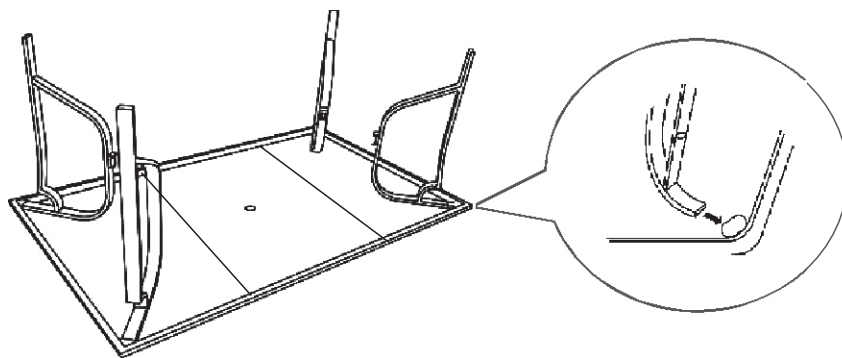


FIGURE 1

4. ATTACH WASHERS (E) TO EACH BOLT (D), FROM THE INSIDE OF THE LEG CONNECTOR RING, LOOSELY ATTACH THE TABLE LEGS (B) TO THE LEG CONNECTOR RING (C) USING BOLTS (D) AND WASHERS (E). **FIGURE 2**

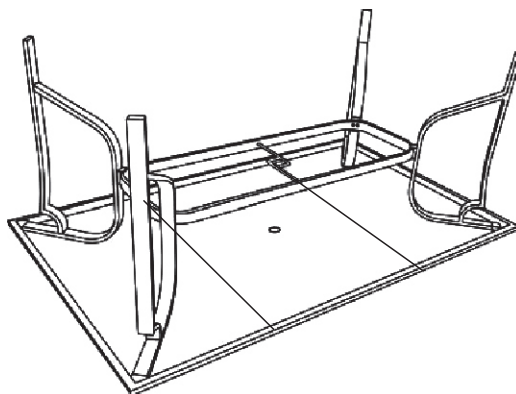


FIGURE 2

5. CHECK THE ALIGNMENT OF ALL TABLE LEGS (B) AND ADJUST IF NECESSARY. ONCE ALL THE BOLTS ARE IN PLACE, USE THE HEX SCREW DRIVER (G) TO TIGHTEN. COVER ALL BOLTS (D) WITH THE BOLT COVERS (F).

6. WITH THE HELP OF ANOTHER PERSON, CAREFULLY TURN THE TABLE TO THE UPRIGHT POSITION. PLACE THE PLASTIC BASE FOR THE LAZY SUSAN (H) ON THE TABLE TOP AND THEN PLACE THE ROUND GLASS (I) ON THE PLASTIC BASE. YOUR TABLE IS NOW READY TO USE. **FIGURE 3**

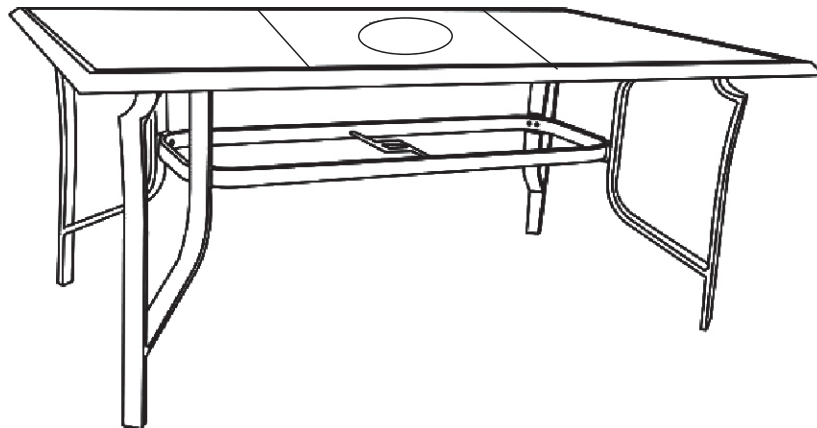


FIGURE 3

7. KEEP THE BOTTLE OF TOUCH –UP PAINT (J) FOR FUTURE USE FOR BOTH YOUR TABLE AND CHAIR.

CARE & MAINTENANCE

Your table should be washed with a mild solution of soap and water. Rinse with clean water and dry with a soft towel. **DO NOT** use bleach or strong solvents to clean any of your patio furniture.

DO NOT DRAG TABLE, ALWAYS LIFT WITH HELP OF ANOTHER PERSON

STORAGE SUGGESTIONS

Always be sure to drain any water accumulated on the furniture. The best way to maintain your furniture & cushions is store them in dry areas out of the elements. Covering is recommended with commercially available furniture covers, when your furniture is not in use.

Using your furniture under cover is recommended.

Made In China
Imported By Furniture Solutions (Aust) Pty Ltd