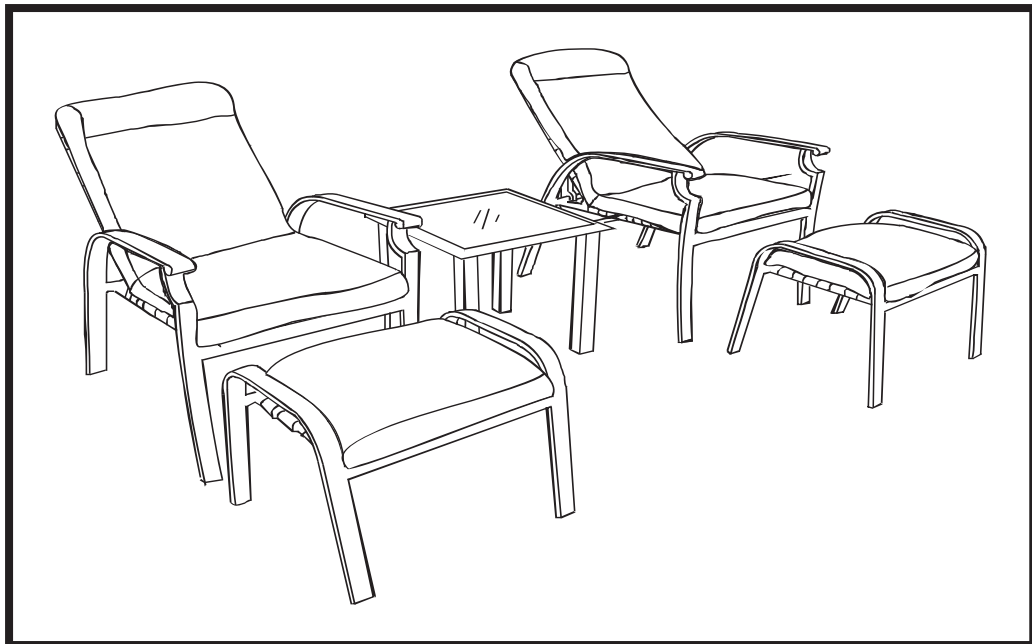


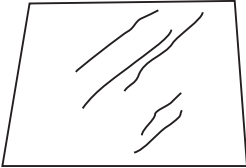
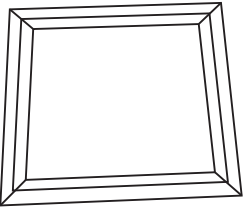
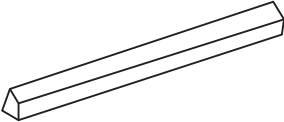

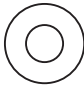



= Furniture Solutions =

Palms Metro 5PC Set



PRODUCT CODE : PALM05S

SIDE TABLE PARTS LIST

PART	DESCRIPTION	PICTURE	QTY
A	GLASS		1
B	TABLE TOP RIM		1
C	TABLE LEGS		4
D	SCREW (25MM)		8
E	LOCK WASHER		8
F	SCREW CAP		8
G	HEX SCREWDRIVER		1
H	BOTTLE OF TOUCH-UP PAINT		1

Please read instructions carefully and thoroughly before assembling. Familiarize yourself with the inventory of parts and the accompanying illustrations to ensure safe and proper assembly.

Place table on a carpeted flat surface to prevent scratching.

1. Carefully remove the two white plastic brackets used to hold the glass in place during shipping. Remove glass from table top rim. Place the glass on a soft surface. (Figure 1)

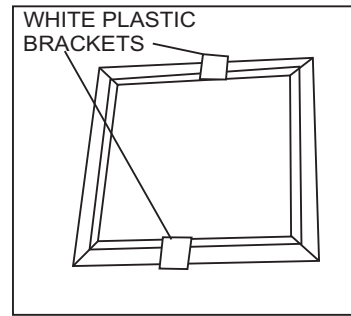


Figure 1

2. Attach the table legs (C) to the table top rim (B) by aligning the screw holes on the table top rim (B) with those on the table legs (C). Secure the table legs (C) through washers (E) to the table top rim (B) using screws (D). Tighten with hex screwdriver (G). (Figure 2)

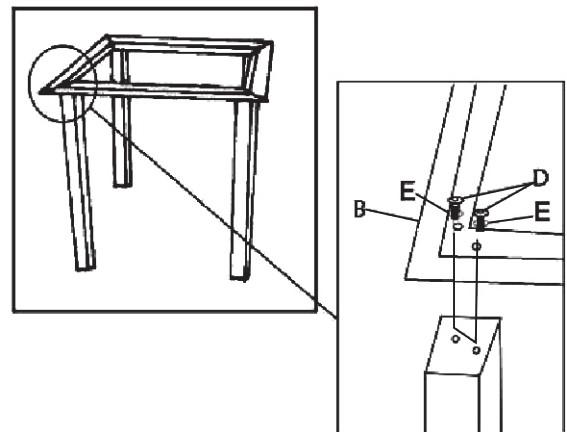


Figure 2

3. Once all the table legs (C) are attached, cover all screws with screw caps (F). (Figure 3)

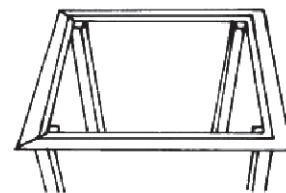


Figure 3

4. Carefully place the glass (A) with the glossy side up on the assembled table frame. Your side table is ready for your enjoyment.

(Figure 4)

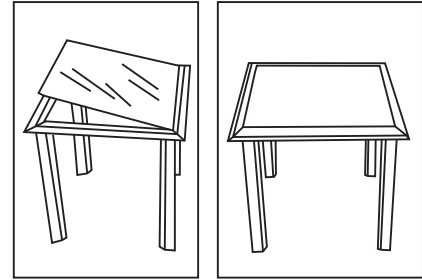


Figure 4

CARE & MAINTENANCE

Your table should be washed with a mild solution of soap and water.

Rinse with clean water and dry with a soft towel. DO NOT use bleach or strong solvents to clean any of your patio furniture.

Glass is not covered under warranty.

STORAGE SUGGESTIONS

Always be sure to drain any water accumulated on the furniture. The best way to maintain your furniture & cushions is store them in dry areas out of the elements. Covering is recommended with commercially available furniture covers, when your furniture is not in use.

Using your furniture under cover is recommended.

Made In China

Imported By Furniture Solutions (Aust) Pty Ltd