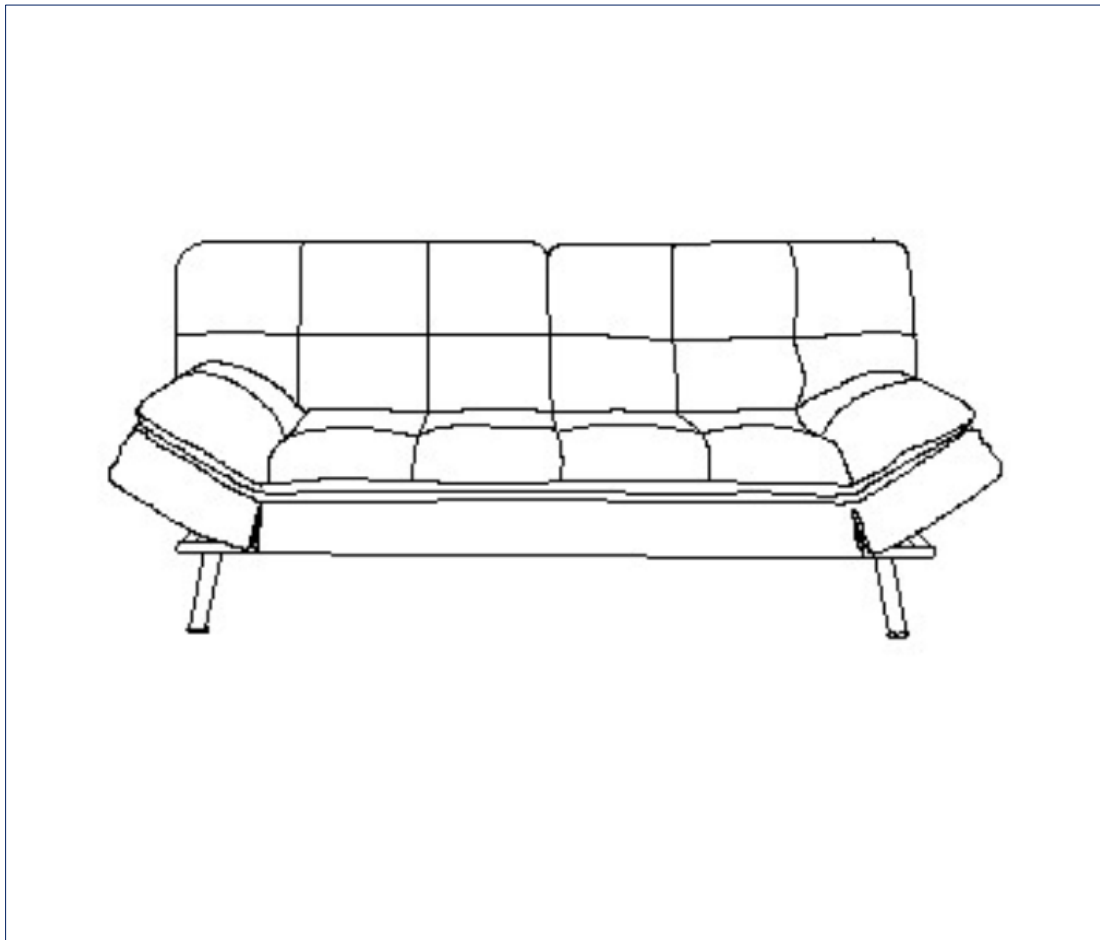


Imported by Furniture Solutions (Aust) Pty Ltd  
10-16 Daisy St,  
Revesby, NSW. 2212  
[www.furnitureolutions.com.au](http://www.furnitureolutions.com.au)

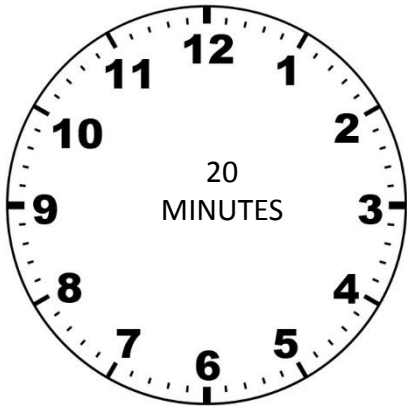


Imported by Furniture Solutions (Aust) Pty Ltd New South Wales, Australia.  
For any assistance with assembly or for missing parts please contact:  
Place of purchase or Furniture Solutions on below  
Customer Service (Australia) Phone-1300 794 188  
Email- [customerservice@furnitureolutions.com.au](mailto:customerservice@furnitureolutions.com.au)

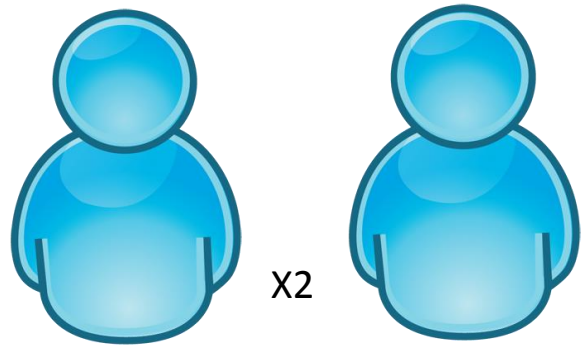
## PRE-ASSEMBLY PREPARATION

### Before you start:

1. Choose a clean, level, spacious assembly area. Avoid hard surfaces that may damage the product
2. Take care when lifting. Product should be assembled as near as possible to the point of use
3. Ensure that you have all required contents for complete assembly
4. Always read the assembly instructions carefully before beginning assembly.
5. Keep all hardware parts and packaging out of reach of small children.
6. Do not over tighten the screws and bolts as this may damage the threads

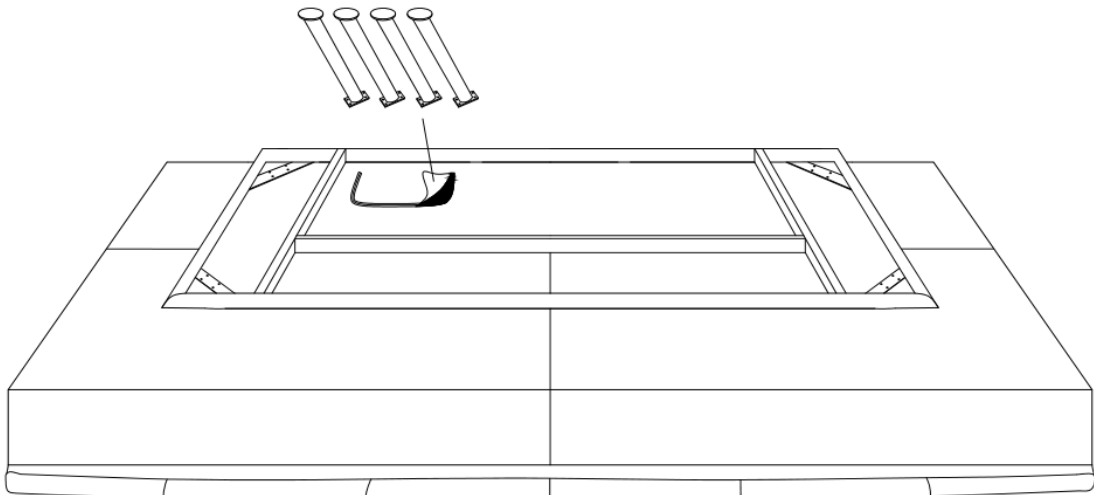


ALLOW TIME






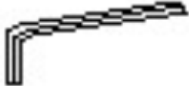


PEOPLE REQUIRED

Special Notice: Parts carton is located in zipper pocket in base in sofa.



## PARTS LIST

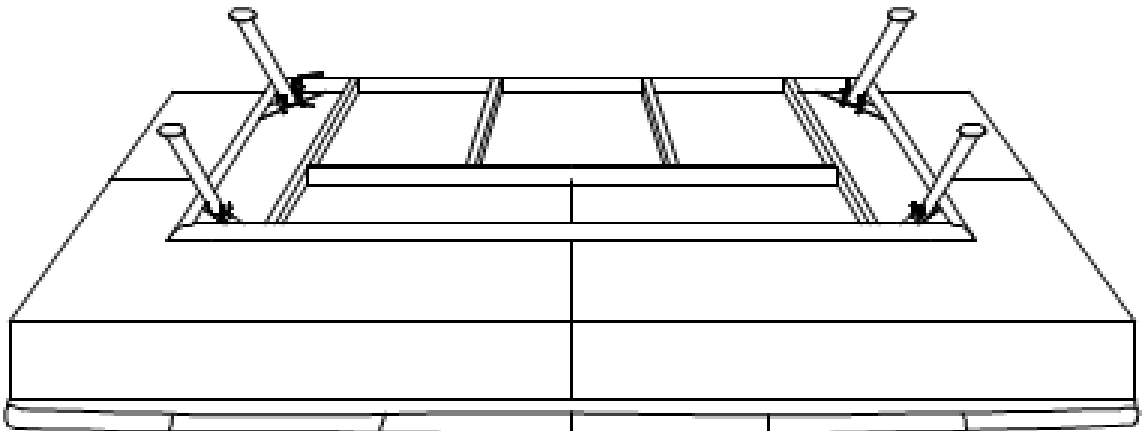
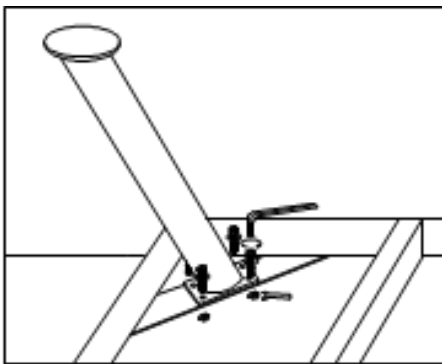
	PART	QTY	CODE	IMAGE
1	STEEL LEG	4	P230511-3L	
2	BOLT: M6 x25mm	16	P230511-3BM625	
3	WASHER: M6	16	P230511-3WM6	
4	NUT: M6	16	P230511-3NM6	
5	SPANNER: M6	1	P230511-3SM6	
6	TOOL: 4MM	1	P230511-3T4MM	

## ASSEMBLY INSTRUCTIONS

Please prepare work area as instructed in page 2:

As indicated in diagram below lay front of sofa face down.

You will see a zipper in dust cover, inside you will find a box containing legs and hardware pack. Once all items are checked against list on previous page, we can begin to fit legs to metal base. Note legs are angled when fitting please ensure angle is facing away from sofa. Now take steel leg [1] and align holes in plate of leg and plate located in corner of frame, once aligned take bolt [2] and from underneath insert thru holes, so that open threaded end is facing upwards. Next add washer [3] by sliding over bolt end. Next take nut [4] and by hand seat thread correctly on bolt. Note you will notice that one side of the nut has a coloured nylon ring, that ring should be facing up. Next take tool [5] and insert into head of bolt from underneath, push up till head of bolt is flat against frame, then take spanner [4] and tighten nut till flat against frame. Repeat for all bolts and other legs. Assembly complete. With the help on another person lift and roll complete sofa towards end with legs closest to edge of sofa until can place on feet. Before use please consult operating instruction



## INSTRUCTIONS-OPERATING OF FUNCTIONS

### ***About CLICK CLACK mechanism:***

The ratchet system used is designed only to work one way, whenever back or arms mechanism is in a position other than flat to change position you will need to unlock ratchet. To unlock you will be required to gently push back/arm fully forward till you hear a clack sound, then you can lower back/arm to go flat.

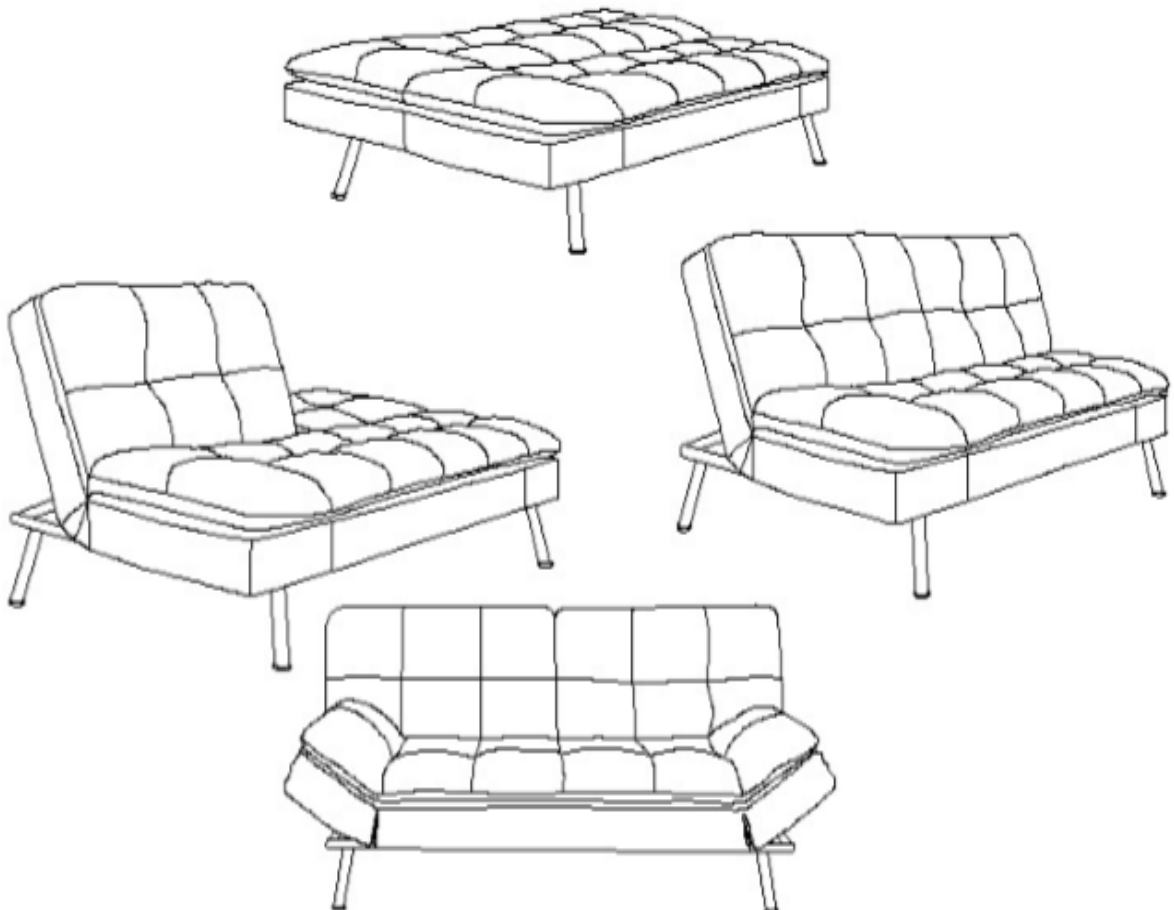
Click Clack has a 3 stage mechanism which uses a ratchets system.

First position is flat for use as a bed. This model has added armrest function.

Second position is Lounger when back is mid way up in locked position.

Third position is as a Sofa full upright locked position.

Please view Images of positions available and move to next page for written instruction.



## INSTRUCTIONS-OPERATING OF FUNCTIONS

### ***Instruction start from fully flat position:***

Starting from flat position to move to Lounger position.

With a person on each side of sofa, in unison lift backrest up till you hear a click noise, this should then hold mid way lock.

To go from Lounger position to Sofa position.

With a person on each side of sofa, in unison lift backrest till you hear another click, again this should then hold at upright position.

To go back to flat or Bed position, you will need to release locking mechanism.

This done by lifting and pushing backrest forward till you here clack.

Once you here the clack lower backrest till flat.

Armrest & split back functions operate the same as above.

Note/Warning:

The ratchet mechanism is designed only to work one way you can only lock the 2 upright positions from flat starting.

So can not go from Sofa position to Lounger position must always go back to flat position.

If for some reason you do not get a lock position when raising from flat position.

Lift backrest all the way to the clack release point then back again, sometimes doing it twice has better success.

## CARE AND MAINTENANCE

Varieties of materials are used in construction of “Click Clack sofa” furniture range, Such as Stainless Steel; Chrome plated steel: Powder coated steel, Timber, PU synthetic fabric & a variety fabric. All will require some form of maintenance to extend the life of finishes and general appearance.

Please see below instruction unique to your chosen model.

### *Tocoa Click Clack Sofa-bed*

Covering : Polyester Fabric / PU Synthetic

Frame : Polished Steel

Legs : Polished Steel

### *Polyester Fabric;*

Vacuum regularly with a soft brush attachment to remove dust and grit, & or wipe with a soft colourfast cloth dampened with plain water. This should be done as often as necessary or at least every 2 weeks. Do not rub excessively. Special note salts and body oils which occur naturally in human skin can build up in fabric, please consider having a professional clean done depending on use once a year. In areas of high humidity more frequent cleaning will be required.

### *PU Synthetic;*

Vacuum & or brush away dust & grit as necessary, wipe with a soft clean dye fast cloth. Every 3-4 months remove excess body oils with a soft, clean dye fast cloth & appropriate cleaner for synthetic fabrics. Follow direction as recommended.

Frequency of periodic care depends on usage.

Notes:

Accumulation of perspiration and body oils on arm pads, headrest etc. may damage your PU. These areas and will require more frequent cleaning.

PU is not resistant to animals. Claws scratch covering, saliva is acidic and can damage PU finish.

Alcohol, hair spray, gel mousse, perfume, deodorants, some medication and dye penetration from cloths can have adverse effects on surface of PU.

### *Do Not on fabric or PU;*

Expose direct to sunlight, intense heat, weather and soak unnecessarily.

Always avoid excessive hard rubbing.

Do not use saddle soap, detergents, solvents, abrasives, unidentified cleaners, or any product containing silicon or solvent. Do not dry clean or machine wash.

### *Polished Steel;*

For best results use microfiber cloth or moist clean cloth. Ensure not to leave damp.

# SAFETY WARNINGS AND ADVICE

## *Notices and Advice*

Please be advised that products are limited in design for residential use only and are not suitable for commercial use.

Please be advised that materials used in your furniture are not impervious to neglect, acts of god, abuse, alcohol spills, improper use of chemicals such as bleach or any solvent based products.

Please be advised that heat sources such as direct sunlight, log fires, heaters and air conditioners can have adverse affects on your furniture.

Please be advised that fitting, bolts, nuts and or screws should be checked periodically to ensure they have not loosened over time. Remember do not overtighten.

### DO NOT

- Place in direct sunlight.
- Place in close proximity to open flame or heaters.
- Place in direct line of air conditioning ducting.
- Leave spills or food on sofa clean off immediately
- Pull loose thread, cut them instead.

## *Safety warnings*

- DO NOT:
- drop, drag always with the help of another person lift and place, to avoid damage to floor surface & or legs of sofa.
- Sit on arms or back when upright, this could damage internal mechanism.
- Fold mechanism with linen or cushions on sofa.
- Pull loose thread, cut them instead.
- Jump, flop or stand on sofa.
- When using as a bed sit first then reline into sleep position



# WARRANTY DETAIL

## 1 Year Warranty

A one (1) year warranty applies to product against any defect associated with faulty workmanship for a period of (1) year from date of purchase.

Furniture Solutions accepts no responsibility for defects caused by incorrect assembly, mishandling, acts of god, general wear & tear including fading, creasing of covering, aging of foam and fibre filling IE Height reduce over time, stains from spills, chipping/scratching, exposure to extreme heat/cold, mould/mildew, hardware corrosion, misuse of the products & defects caused by failure in duty of care for the product in accordance with the care instructions. Warranty is based on normal household use and not for commercial use. Warranty only extends to original purchaser and is not transferable, except when given as a gift.

### **Notice:**

While every effort is made to use quality materials our products are limited in design for domestic use only & are not suitable for commercial use.

Care should be taken not to place product near heat sources.

### **Duty of care:**

While every attempt is made to supply product using quality components there is always a need from consumer to help ensure long life of use for product. Instruction manuals are designed with the nature of materials used in construction of the product.

\*Proper use of item only what it is designed to do

\*Regular maintenance and cleaning

In areas of high content of salt air, pollution & moisture require more frequent cleaning.

### **Claim management:**

To make a warranty claim, customers can either contact the retailer where the purchase was made or Furniture Solutions on contact details below. Proof of purchase will be required before proceeding with any claim. In the case of product defects providing photos may be able to speed up processing of the claim. If missing parts please refer to assembly instructions for identification of said part and contact either of the above.

“Our goods come with guarantees that cannot be excluded under the Australian Consumer Law. You are entitled to a replacement or refund for a major failure and for compensation for any other reasonably foreseeable loss or damage. You are also entitled to have the goods repaired or replaced if the goods fail to be of acceptable quality and the failure does not amount to a major failure”.