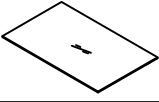

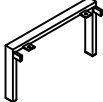

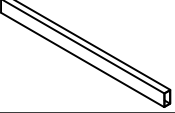

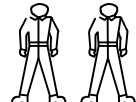
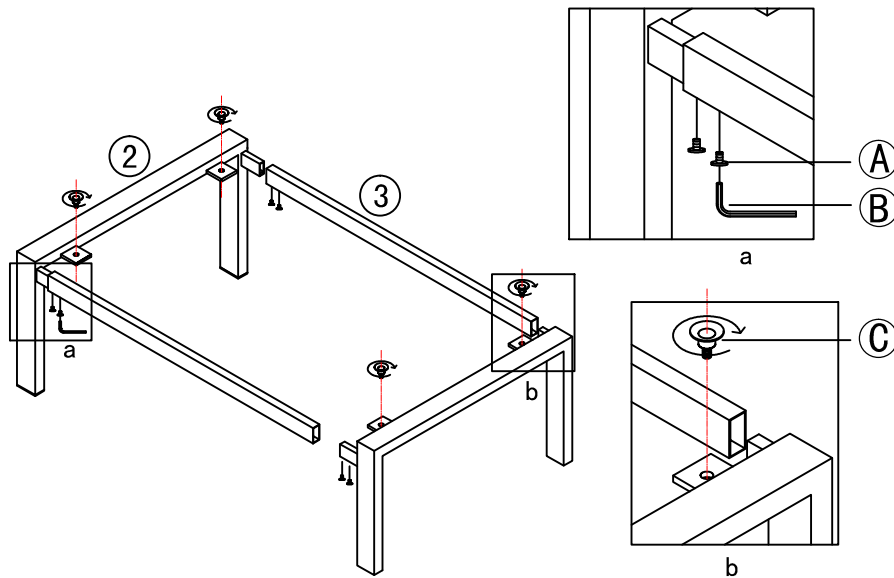


Before you start please check all components

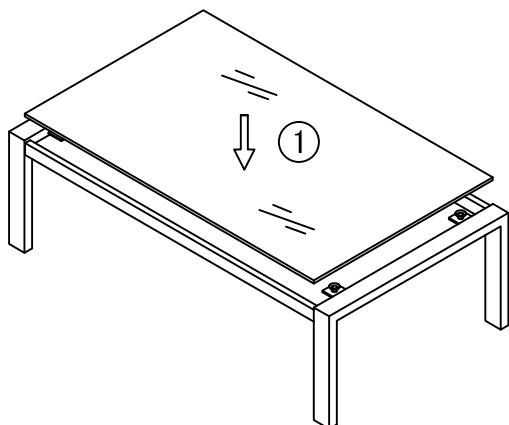
PRODUCT COMPONENTS		HARDWARE LIST			
1		1	A 	M6*12	8
2		2	B 	4mm	1
3		2	C 	M6*10	4

 **Two people to lift**

STEP 1



STEP 2



FINISHED

