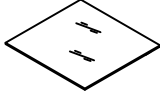

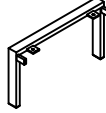

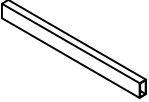

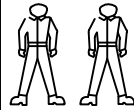


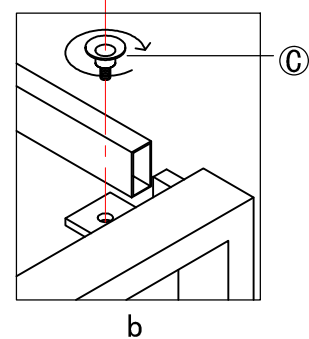
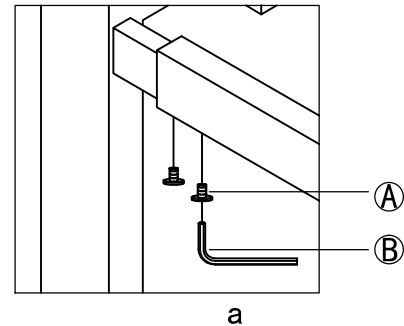
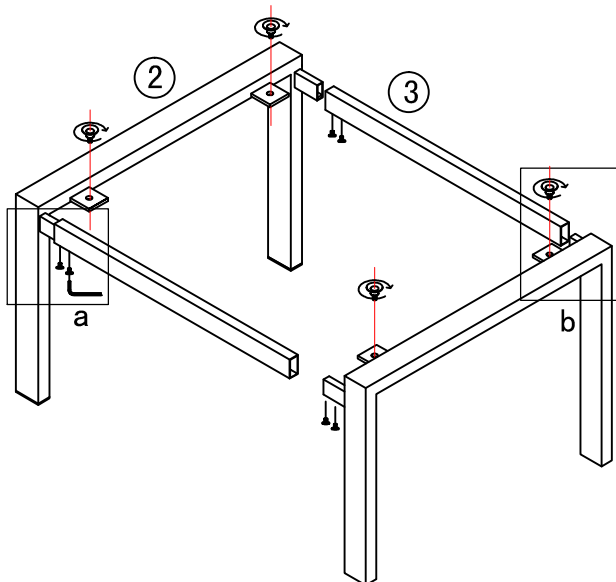
Before you start please check all components

PRODUDT COMPONENTS			HARDWARE LIST			
1		1	A		M6*12	8
2		2	B		4mm	1
3		2	C		M6*10	4



Two people to lift

STEP 1



STEP 2

FINISHED

