



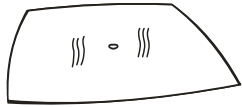


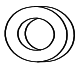




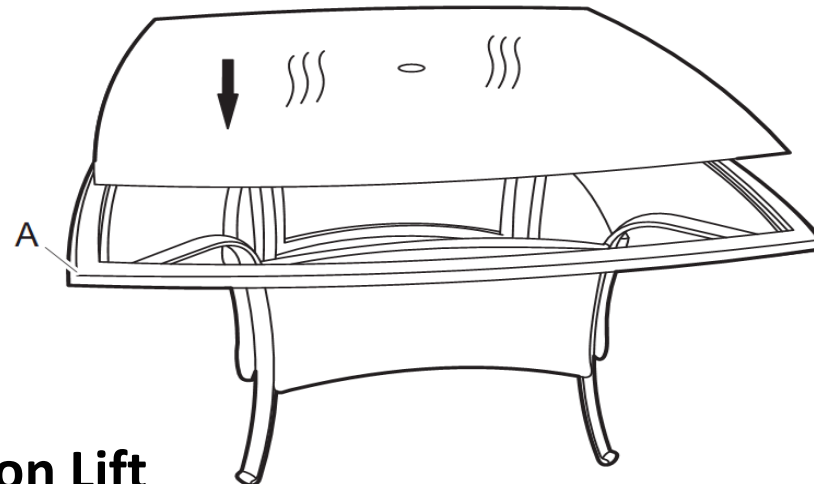
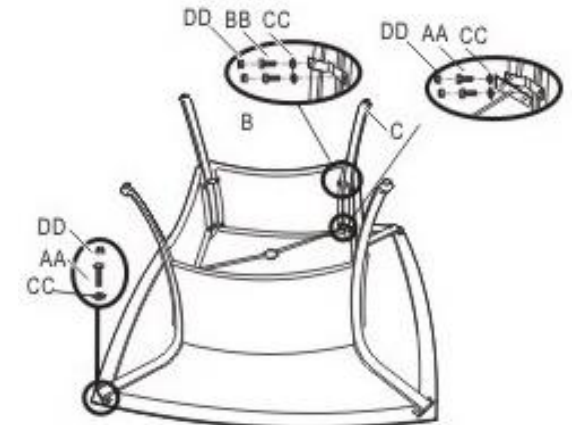
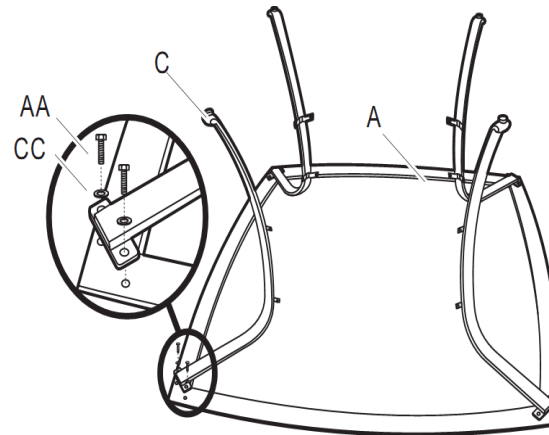
Helpful hints to make assembly stress free. Ensure surface area you are working with is level, clean & has soft surface. Please start all bolts by hand to seat properly, Do not tighten bolts completely till all bolts fitted. Stand on feet to make square before tightening bolts. Contact Furniture Solutions if any parts are missing: Email [customerservice@furnitureolutions.com.au](mailto:customerservice@furnitureolutions.com.au) PH: 1300 794 188 (Aust)

**Components**

A Table Rim x1	B Side Panel x4	C Table leg x4
		
D Connector Ring x1	E Glass x1	
		

**Parts**

AA Long Bolt M6x20MM x12	BB Short Bolt M6x15mm x12
	
CC Washer x24	DD 6mm Hex Bolt Cap x24
	
EE Hex Wrench x2	
	



**2 Person Lift**