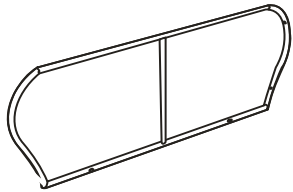
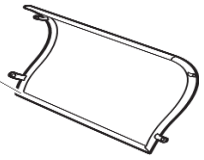
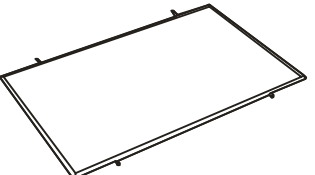
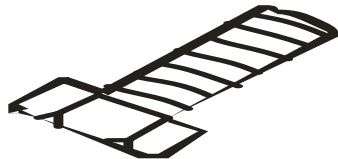




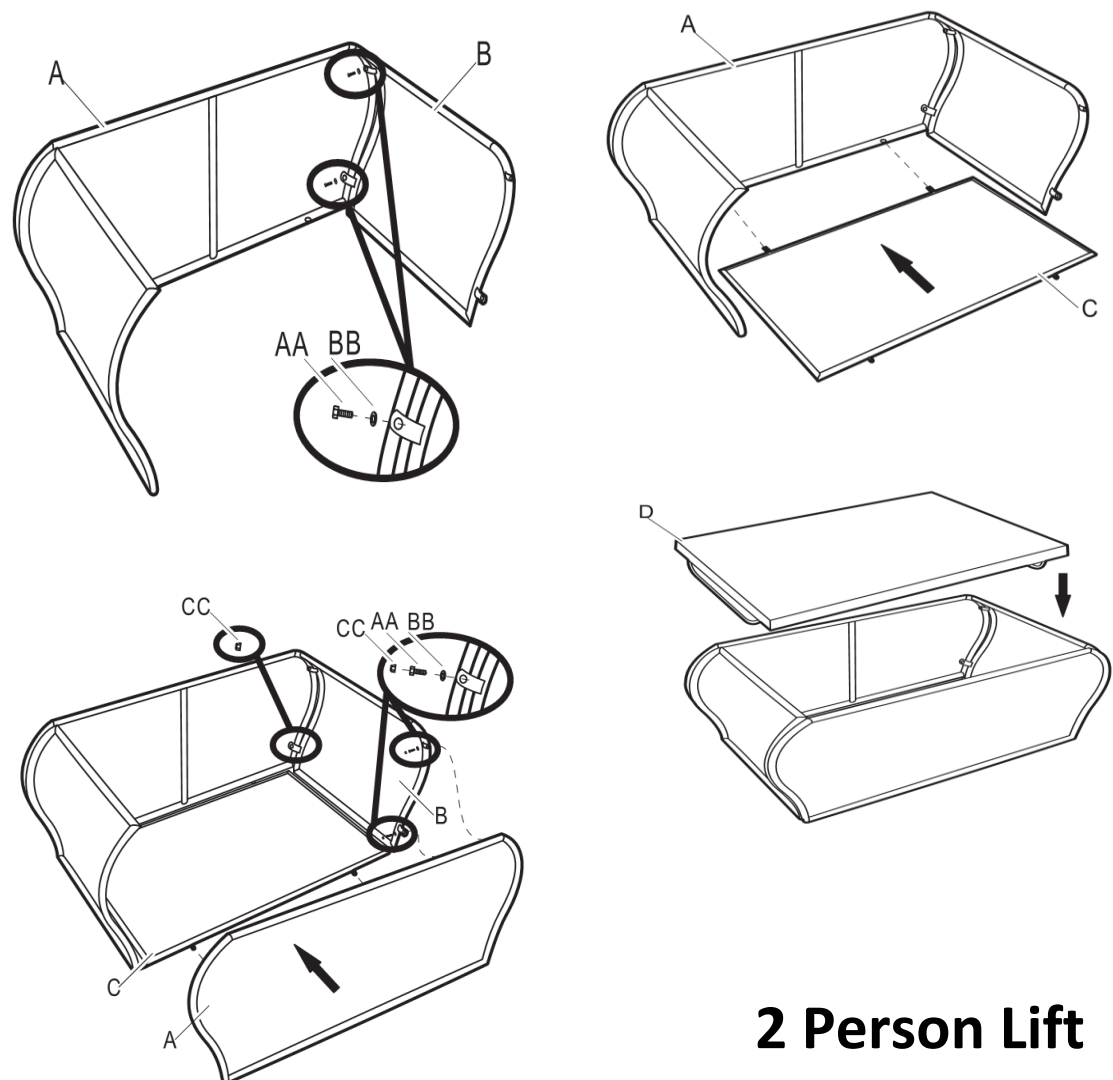
Helpful hints to make assembly stress free. Ensure surface area you are working with is level, clean & has soft surface. Please start all bolts by hand to seat properly, Do not tighten bolts completely till all bolts fitted. Stand on feet to make square before tightening bolts. Contact Furniture Solutions if any parts are missing: Email customerservice@furnitureolutions.com.au PH: 1300 794 188 (Aust)

Components

A	Front & Back Panel	x 2	B	Side Panel	x 2
					
C	Bottom Panel	x 1	D	Top Panel	x 1
					

Parts

AA	Hex Bolt M6x20MM	x 8	BB	M6 Washer	x 8
					
CC	M6 Hex Bolt Cap	x 8	DD	Hex Wrench	x 1
					



2 Person Lift