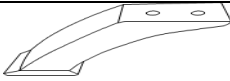




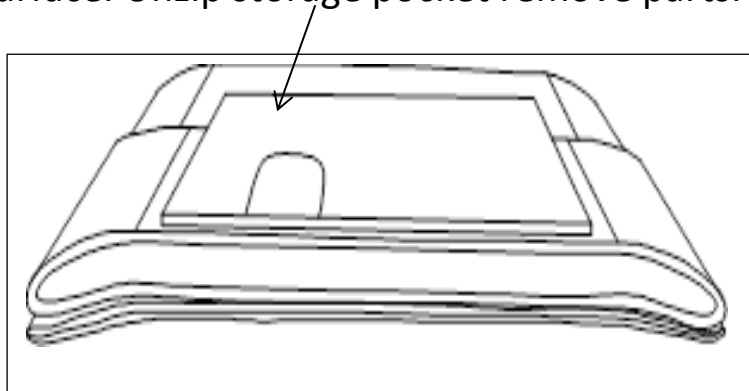


ASSEMBLY INSTRUCTION MODEL: NANTES 3s SOFA BED

A		Front leg x 2
B		Back leg x 2
C		Bolt x 4
D		Washer x 4
E		Allen Key x 1

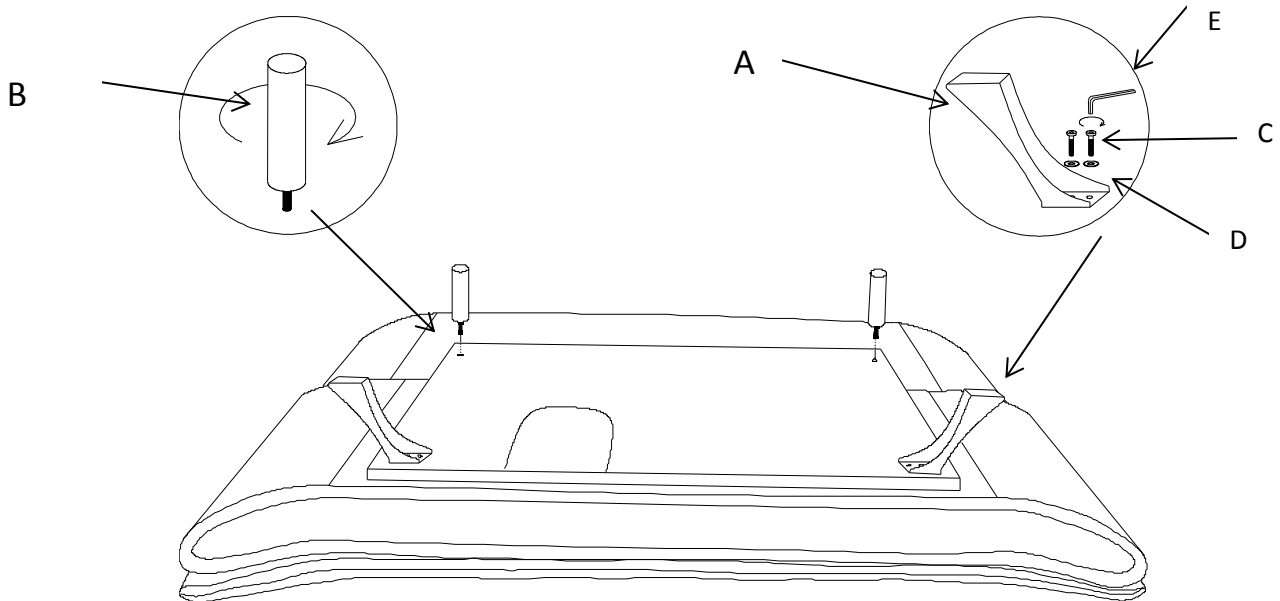
Parts stored in Zipper at base of sofa

Step 1: With the help of another person place sofa upside down on a soft clean surface. Unzip storage pocket remove parts.



Step 2: Take Front leg (A) line up holes in leg with threaded holes in sofa, ensure you have leg point outwards. Take bolt (C) with washer (D) insert thru hole into thread then by hand turn 2-3 times to seat bolt properly, repeat for other bolt once seated properly, take Allen key (E) and tighten till firm do not over tighten. To fit back leg place threaded end into hole as indicated in diagram seat thread properly before tighten. Once all legs fitted correctly with help of another person lift sofa and rotate till feet on floor. Ready for use.

ASSEMBLY INSTRUCTION MODEL: NANTES 3s SOFA BED



Click Clack Sofa-Bed operates on a 3-stage ratchets system.

Starting from flat position

Step 1: Lift back till you hear a click that will hold at mid angle, to increase to full upright position pull back forward again till you hear a click that will hold at full upright position.

Starting from full upright position

Step 2: Pull back towards front till you hear a clack that will release the lock on ratchets system, once released with your assistance lower back till flat. Note once lock is released back will only go to flat position if you require it to go to mid angle position you will need to start from flat position as instructed above.

Warning do not operate when in use IE: person laying a sofa, loose blankets & or Cushions that could get caught in mechanism.

Note never drag sofa always lift with help of another person.

