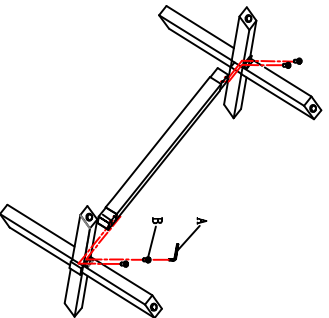


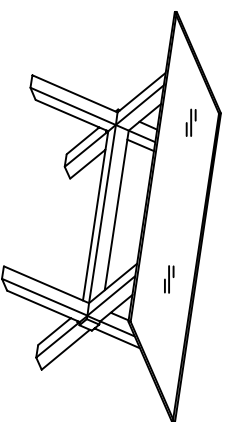
STEP 1

NOTE: 2 MAN LIFT
PLACE ON SOFT CLEAN AREA BEFORE ASSEMBLING
IMPORTANT: WHEN SCREW THE FRAME, BUT NOT TIGHTEN COMPLETELY FIRST !!!



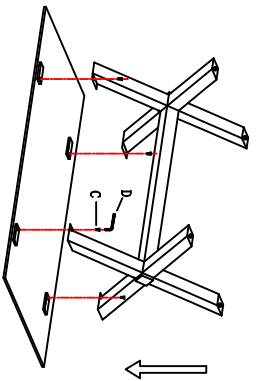
FINISHED

NOTE: WITH HELP OF ANOTHER PERSON LIFT OFF FLOOR AND STAND ON LEGS



STEP 2

AFTER SCREW AND TIGHTEN ALL THE SCREWS FOR GLASS TOP, AND THEN TIGHTEN ALL THE SCREWS FOR FRAME COMPLETELY !!



| | | | |
|-----|-------|---------|-----|
| D | 4MM | | 1 |
| C | M6*10 | | 4 |
| B | M8*25 | | 4 |
| A | 5mm | | 1 |
| NO. | SIZE | DIAGRAM | QTY |

- As shown in Diagram place X Shape leg on both sides of bar ensure holes is facing inwards, ensure all holes are facing up wards, then slot bar into X leg as indicated in step 1. repeat for other side. By hand insert bolts (B) thru X leg into threaded hole in bar turn 2-3 times. Do not tighten till indicated.
- With help of another person place glass top upside down on a level, soft clean surface. With help of another person lift frame and place over disc on glass, line up hole in frame with threaded holes in discs then by hand insert bolt (C) thru frame into threaded hole in disc turn 2-3 times repeat till all bolts fitted once all fitted take allen key (D) tighten bolts, next take allen key (A) tighten all bolts in X leg frame. With help of another person pick up frame rotate till feet on floor.
- Do not over tighten.
- Ready for use

METAL FINISH MAINTENANCE

Finish is polished steel to ensure lustre please dust with a soft clean cloth regularly. In areas of high salt & humidity please clean every 2-3weeks.
Do not use solvents or abrasive cleaners, may use damp cloth to clean off spills of liquid, ensure liquid spills clean off immediately.

GLASS MAINTENANCE

Dust regularly with a soft clean cloth.
Note if using chemicals to clean glass be aware if drips onto frame work some chemicals may damage surface please clean of frame and rinse off with a damp cloth with plain water.

Note avoid damage to paint finish under glass will affect the look of the glass.

*** PLEASE REFER TO YOUR WARRANTY SWING TAG FOR FURTHER MAINTENANCE REQUIREMENTS.**

Made In China

Imported By Furniture Solutions (Aust) Pty Ltd