

Your furniture purchase is an investment. Here are a few tips to maximize the lifetime of your furniture with a minimal amount of effort. Properly caring for your furniture can help ensure that it looks great year after year.

**Wood Furniture Maintenance:**

- Always dust, wipe, and clean with the grain of the wood.
- Dust with a soft cloth. Dust will scratch the furniture surface if not removed properly.
- If a polished surface becomes foggy, rub it with a cloth dipped in a solution of one tablespoon vinegar to one quart of water. Rub softly with the grain until the surface is completely dry.
- Soap and water are not advisable for wood surfaces. Water can penetrate the finish and raise the grain on wood, causing damage.
- Remember to change dusting cloths frequently as dirty cloths may scratch your furniture's surface.

**The Enemies of Wood:**

- Moisture is wood's worst enemy. Liquid spills should be gently wiped up immediately. Coasters should be used under all beverages.
- Do not allow rubber or vinyl materials to lie on the furniture. Chemicals in rubber may leave a stain. Put a strip of felt or leather under accessories that have rubber or vinyl.
- Heat creates a chemical change in the furniture's finish, which result in a white spot. Use protective pads under hot dishes, appliances, etc.
- Sunlight's ultraviolet rays can damage the finish of furniture. Do not place furniture directly against a heater or radiator and do not place in the path of hot streams of air from central heating. This will cause extreme localized drying of the wood.

**Caring for PU Fabric on dining Chairs:**

**Regular Care:**

- Vacuum & or brush away dust & grit as necessary, wipe with a soft clean dye fast cloth.

**Periodic Cleaning:**

- Accumulation of perspiration and body oils upholstery may damage your PU.
- Every 3-4 months remove excess body oils with a soft, clean dye fast cloth & appropriate cleaner for synthetic fabrics. Follow direction as recommended. Frequency of periodic care depends on usage.

**The Enemies of PU.**

- Animals: Claws scratch covering, saliva is acidic and can damage PU finish.
- Alcohol, hair spray, gel mousse, perfume, deodorants, some medication and dye penetration from cloths can have adverse effects on surface of PU.

**Do Not:**

- Expose direct to sunlight, intense heat, weather and soak unnecessarily. Always avoid excessive hard rubbing.
- Do not use saddle soap, detergents, solvents, abrasives, unidentified cleaners, or any product containing silicon or solvent. Do not dry clean or machine wash.

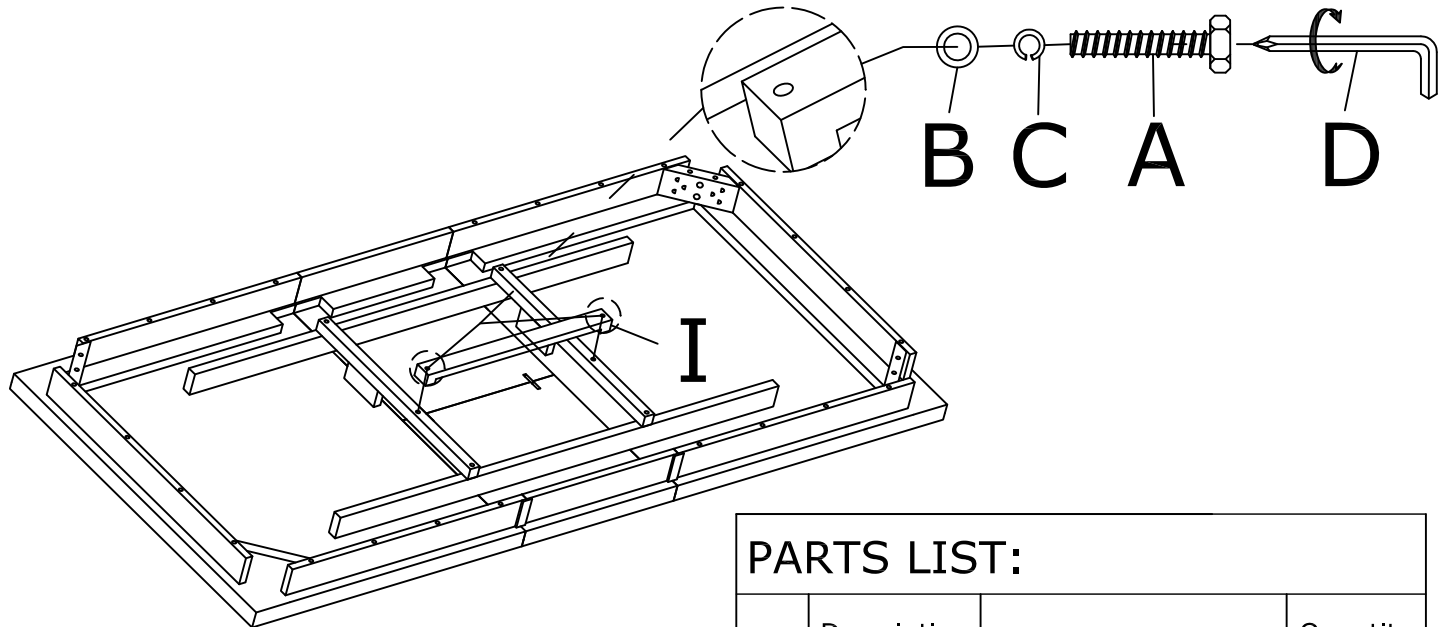
<b>VERY IMPORTANT!!</b>			
<p><b>NEVER</b>          USE GLASS CLEANERS          ON FINISHED SURFACES.          AMMONIA WILL          CHEMICALLY ATTACK          THE FINISH.</p>	<p>DO NOT          WRITE          DIRECTLY          ON          SURFACE </p> <p><b>PREVENT          MARKING</b></p>	<p>DO NOT          PLACE          DIRECTLY          IN          SUNLIGHT </p> <p><b>PREVENT          FADING</b></p>	<p>DO NOT          USE          PLACEMATS          WITH          RUBBER          BASES </p> <p><b>PREVENT          DISCOLORING</b></p>
<p><b>NEVER</b>          ALLOW LIQUIDS OF ANY          KIND TO LINGER ON          SURFACES. ABSORPTION          CAUSES THE WOOD TO          WARP AND THE FINISH          TO DE-LAMINATE.</p>	<p>DO NOT USE          COMMERCIAL          POLISHES          AND WAXES </p> <p><b>PREVENT          YELLOWING</b></p>	<p>DO NOT          PLACE HOT          POTS, ETC          ON          SURFACE </p> <p><b>PREVENT          DAMAGE TO          FINISH!</b></p>	<p>REGULATE          THE          HUMIDITY          CONDITIONS          AT YOUR          HOME </p> <p><b>PREVENT          SPLITTING</b></p>

# XD500T,B-A

## ASSEMBLY INSTRUCTIONS

Do not fully tighten screws & bolts until the entire item is completely assembled

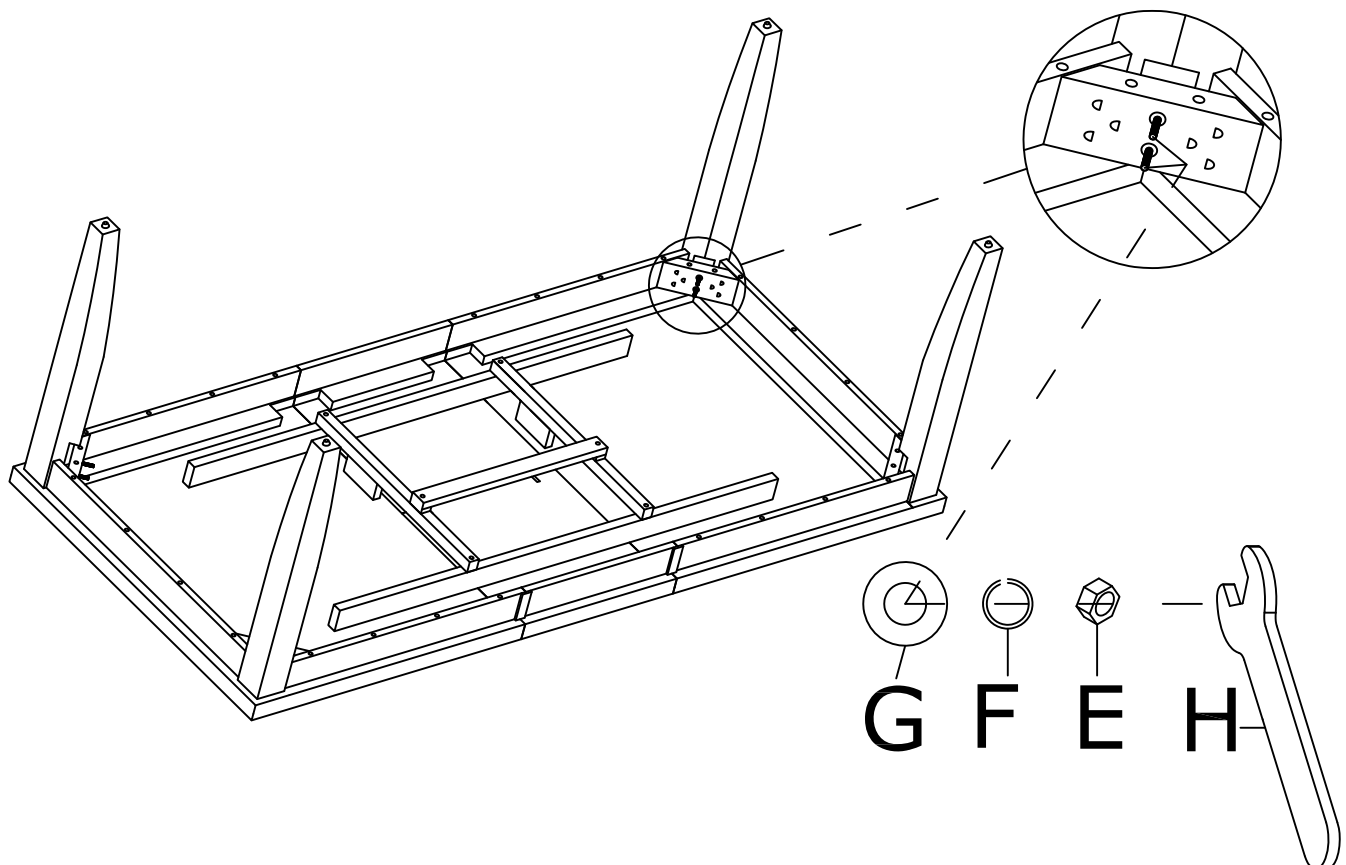
Step 1 Please fit brace to table base as indicated in diagram






### PARTS LIST:

NO.	Description	Sketch	Quantity
I	Brace		1PC





Step 2 Fit table legs as indicated in diagram below



## Hardware Pack #: PXD500T-AH

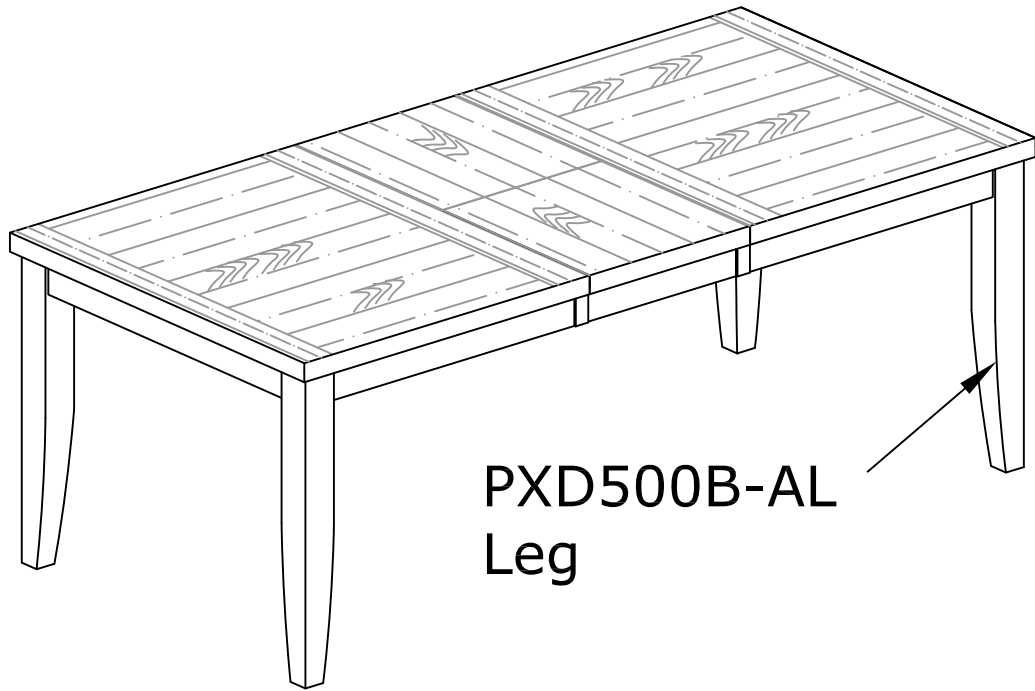
A		Ø1/4"X1.5"	2 PCS
B		Ø1/4"X16mm	2 PCS
C		Ø1/4"	2 PCS
D		5mm	1 PC

## Hardware Pack #: PXD500B-AH

E		M12	8 PCS
F		Ø5/16"	8 PCS
G		Ø5/16"X19mm	8 PCS
H		M13	1 PC

# PARTS FOR XD500T,B-A

Complete Hardware #: PXD500T-AH,PXD500B-AH



PRODUCT DETAILS		
TOP	ASH VENEER ON MDF	
APRON	ASH VENEER ON MDF	
LEG	POPLAR	
PRODUCT SIZE	(1600+450)× 990 × 774mm	
CARTON SIZE	T:214.6x108.5x16.5cm	B:78.1x22.2x27.3cm
NET WEIGHT	T:54.22KG	B:9.81KG
GROSS WEIGHT	T:65.39KG	B:10.26KG
CUFT	T: 0.38m <sup>3</sup>	B: 0.05m <sup>3</sup>

MADE IN CHINA

Imported by Furniture Solutions(Aust) Pty Ltd  
10-16 Daisy Street, Revesby NSW 2212, Australia