

Your furniture purchase is an investment. Here are a few tips to maximize the lifetime of your furniture with a minimal amount of effort. Properly caring for your furniture can help ensure that it looks great year after year.

Wood Furniture Maintenance:

- Always dust, wipe, and clean with the grain of the wood.
- Dust with a soft cloth. Dust will scratch the furniture surface if not removed properly.
- If a polished surface becomes foggy, rub it with a cloth dipped in a solution of one tablespoon vinegar to one quart of water. Rub softly with the grain until the surface is completely dry.
- Soap and water are not advisable for wood surfaces. Water can penetrate the finish and raise the grain on wood, causing damage.
- Remember to change dusting cloths frequently as dirty cloths may scratch your furniture's surface.

The Enemies of Wood:

- Moisture is wood's worst enemy. Liquid spills should be gently wiped up immediately. Coasters should be used under all beverages.
- Do not allow rubber or vinyl materials to lie on the furniture. Chemicals in rubber may leave a stain. Put a strip of felt or leather under accessories that have rubber or vinyl.
- Heat creates a chemical change in the furniture's finish, which result in a white spot. Use protective pads under hot dishes, appliances, etc.
- Sunlight's ultraviolet rays can damage the finish of furniture. Do not place furniture directly against a heater or radiator and do not place in the path of hot streams of air from central heating. This will cause extreme localized drying of the wood.

Caring for PU Fabric on dining Chairs:

Regular Care:

- Vacuum & or brush away dust & grit as necessary, wipe with a soft clean dye fast cloth.

Periodic Cleaning:

- Accumulation of perspiration and body oils upholstery may damage your PU.
- Every 3-4 months remove excess body oils with a soft, clean dye fast cloth & appropriate cleaner for synthetic fabrics. Follow direction as recommended. Frequency of periodic care depends on usage.

The Enemies of PU.

- Animals: Claws scratch covering, saliva is acidic and can damage PU finish.
- Alcohol, hair spray, gel mousse, perfume, deodorants, some medication and dye penetration from cloths can have adverse effects on surface of PU.

Do Not:

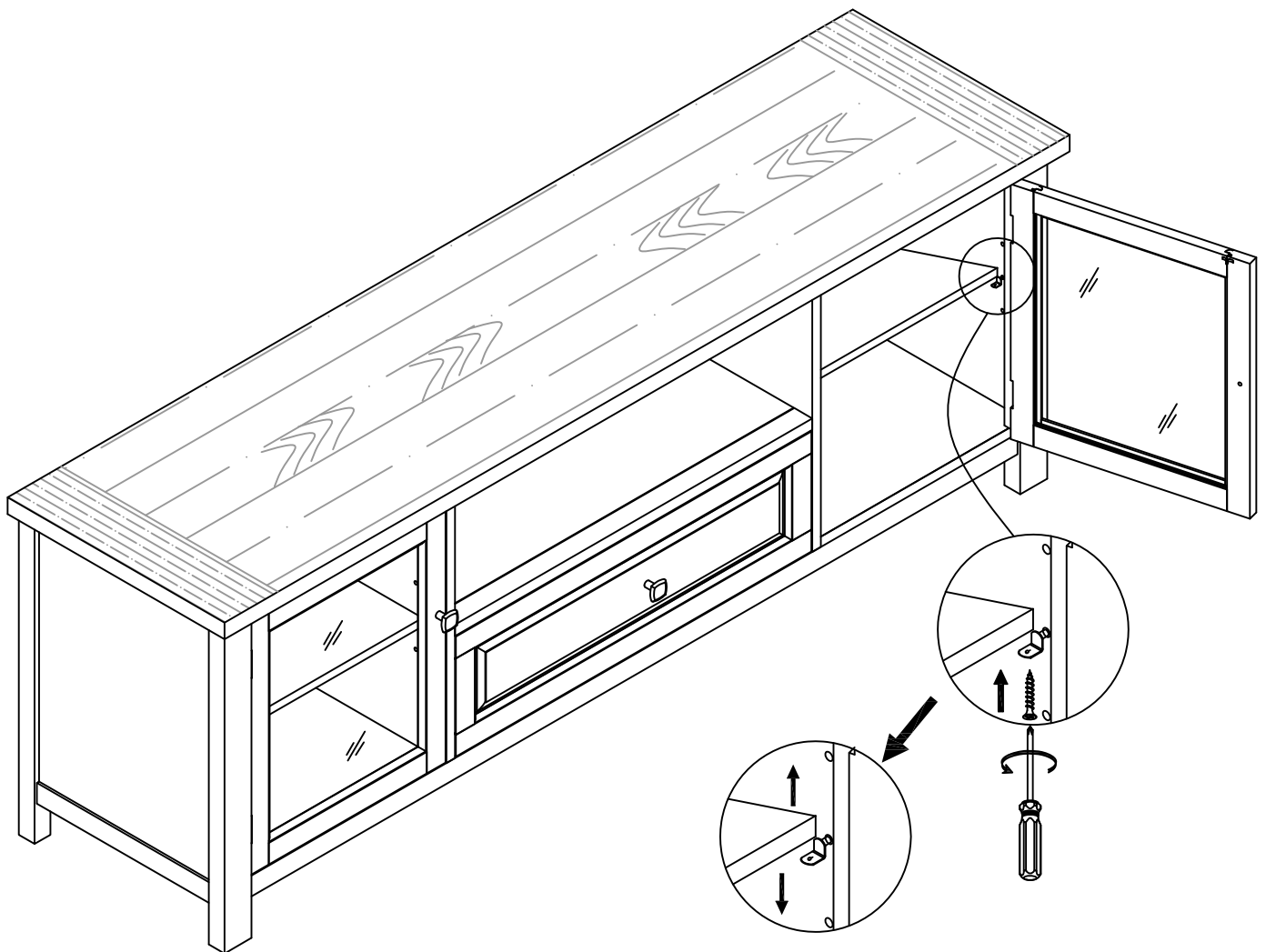
- Expose direct to sunlight, intense heat, weather and soak unnecessarily. Always avoid excessive hard rubbing.
- Do not use saddle soap, detergents, solvents, abrasives, unidentified cleaners, or any product containing silicon or solvent. Do not dry clean or machine wash.

VERY IMPORTANT!!			
<p>NEVER USE GLASS CLEANERS ON FINISHED SURFACES. AMMONIA WILL CHEMICALLY ATTACK THE FINISH.</p>	<p>DO NOT WRITE DIRECTLY ON SURFACE</p>  <p>PREVENT MARKING</p>	<p>DO NOT PLACE DIRECTLY IN SUNLIGHT</p>  <p>PREVENT FADING</p>	<p>DO NOT USE PLACEMATS WITH RUBBER BASES</p>  <p>PREVENT DISCOLORING</p>
<p>NEVER ALLOW LIQUIDS OF ANY KIND TO LINGER ON SURFACES. ABSORPTION CAUSES THE WOOD TO WARP AND THE FINISH TO DE-LAMINATE.</p>	<p>DO NOT USE COMMERCIAL POLISHES AND WAXES</p>  <p>PREVENT YELLOWING</p>	<p>DO NOT PLACE HOT POTS, ETC ON SURFACE</p>  <p>PREVENT DAMAGE TO FINISH!</p>	<p>REGULATE THE HUMIDITY CONDITIONS AT YOUR HOME</p>  <p>PREVENT SPLITTING</p>

XD740TV-A

ASSEMBLY INSTRUCTIONS

Do not fully tighten screws & bolts until the entire item is completely assembled



WARNING

Injury may result from tipping furniture

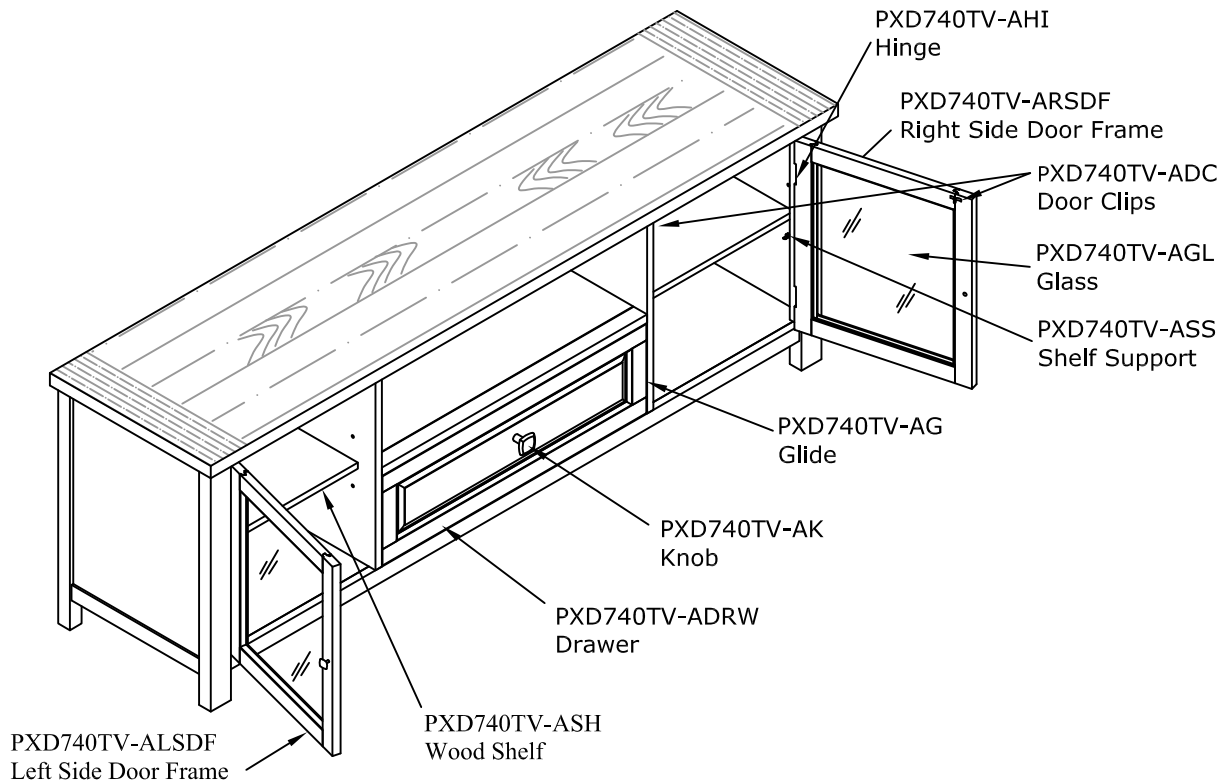
The restraint included in packaging is not a substitute for proper adult supervision.

This restraint may provide protection against tipping furniture.

Do not allow children to climb on furniture

Failure to detach this restraint before moving furniture may result in injury and damage

PARTS FOR XD740TV-A



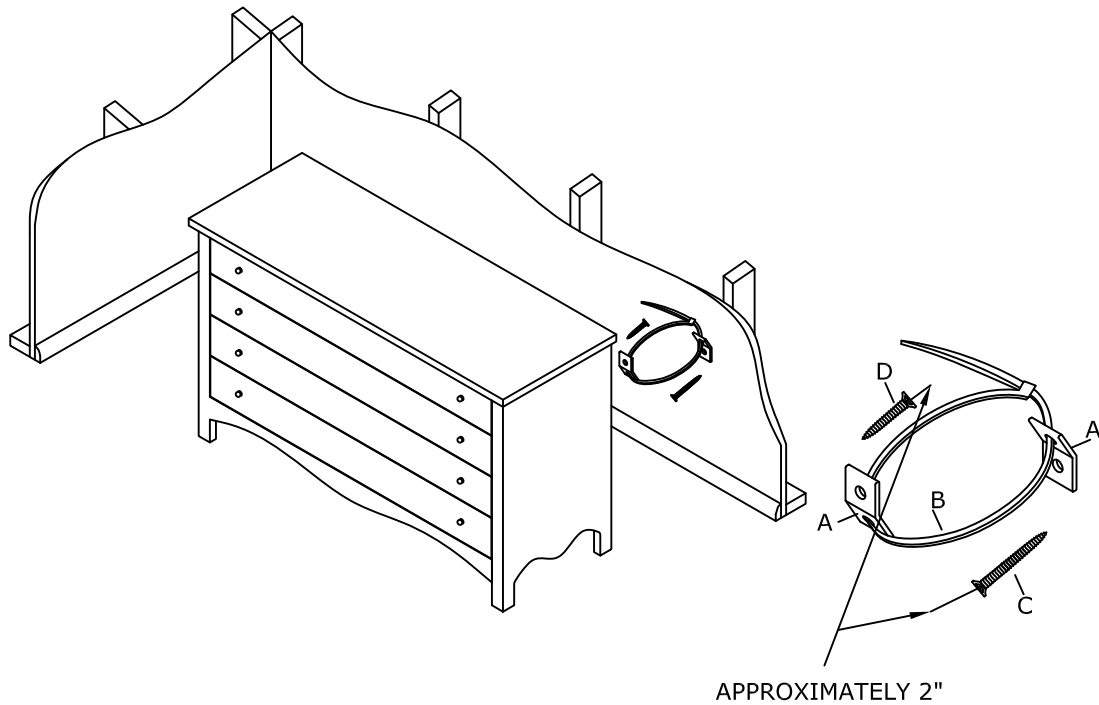
PRODUCT DETAILS

TOP	ASH VENEER ON MDF
SIDE PANEL	ASH VENEER ON PB
DOOR	POPLAR +GLASS(405x348x5mm=2pcs)
LEG	POPLAR
SHELF PANEL	ASH VENEER ON PB
BOTTOM PANEL	ASH VENEER ON PB
DRAWER PANEL	POPLAR + MDF + PW
PRODUCT SIZE	1878 x 482 x 660 mm
CARTON SIZE	195.0 x 55.9x 74.5 cm
NET WEIGHT	62.65KG
GROSS WEIGHT	77.81KG
CUFT	0.81m ³

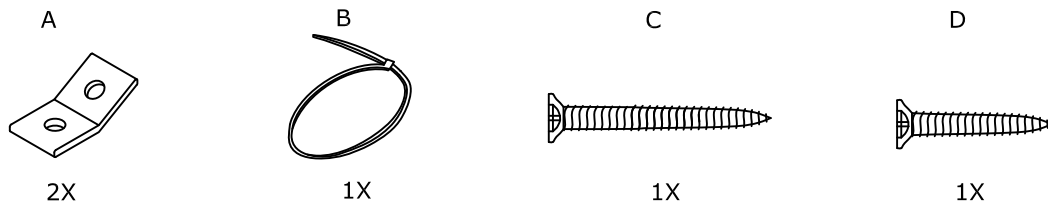
MADE IN CHINA

Imported by Furniture Solutions(Aust) Pty Ltd
 10-16 Daisy Street, Revesby NSW 2212, Australia

ANTI-TIPPING INSTRUCTION



Parts Enclosed:



Installation Instructions:

This tip restraint must be attached to a wall stud using the 2" screw enclosed.

1. Attach a bracket securely to the back top rail of the furniture using the 5/8" screw provided, through the smaller hole.
2. Locate the other bracket on the wall over a wall stud and 2 inches below the mounting bracket secured to the back of your unit. Attach to the wall stud using the 2" screw provided, through the smaller hole.
3. Place the furniture into position so both mounting brackets vertically in line
4. Lace the end of the restraint strap through the larger hole in each mounting bracket. Bring both ends together and slide the flat end through the locking end and draw it through until all slack is removed.
5. Confirm that the strap is securely laced and locked.