

Your furniture purchase is an investment. Here are a few tips to maximize the lifetime of your furniture with a minimal amount of effort. Properly caring for your furniture can help ensure that it looks great year after year.

Wood Furniture Maintenance:

- Always dust, wipe, and clean with the grain of the wood.
- Dust with a soft cloth. Dust will scratch the furniture surface if not removed properly.
- If a polished surface becomes foggy, rub it with a cloth dipped in a solution of one tablespoon vinegar to one quart of water. Rub softly with the grain until the surface is completely dry.
- Soap and water are not advisable for wood surfaces. Water can penetrate the finish and raise the grain on wood, causing damage.
- Remember to change dusting cloths frequently as dirty cloths may scratch your furniture's surface.

The Enemies of Wood:

- Moisture is wood's worst enemy. Liquid spills should be gently wiped up immediately. Coasters should be used under all beverages.
- Do not allow rubber or vinyl materials to lie on the furniture. Chemicals in rubber may leave a stain. Put a strip of felt or leather under accessories that have rubber or vinyl.
- Heat creates a chemical change in the furniture's finish, which result in a white spot. Use protective pads under hot dishes, appliances, etc.
- Sunlight's ultraviolet rays can damage the finish of furniture. Do not place furniture directly against a heater or radiator and do not place in the path of hot streams of air from central heating. This will cause extreme localized drying of the wood.

Marble top maintenance :

Marble stone has many natural characteristics including veining ,hairline cracks and colour variations ,which make up the stones beauty.

The surface of the marble on your table is machine polished to give it a sheen ,no chemical sealer or polish has been used, therefore the following protective measures apply to maintain the beauty of your marble :

Protect surface from scratching ,staining and etching by :

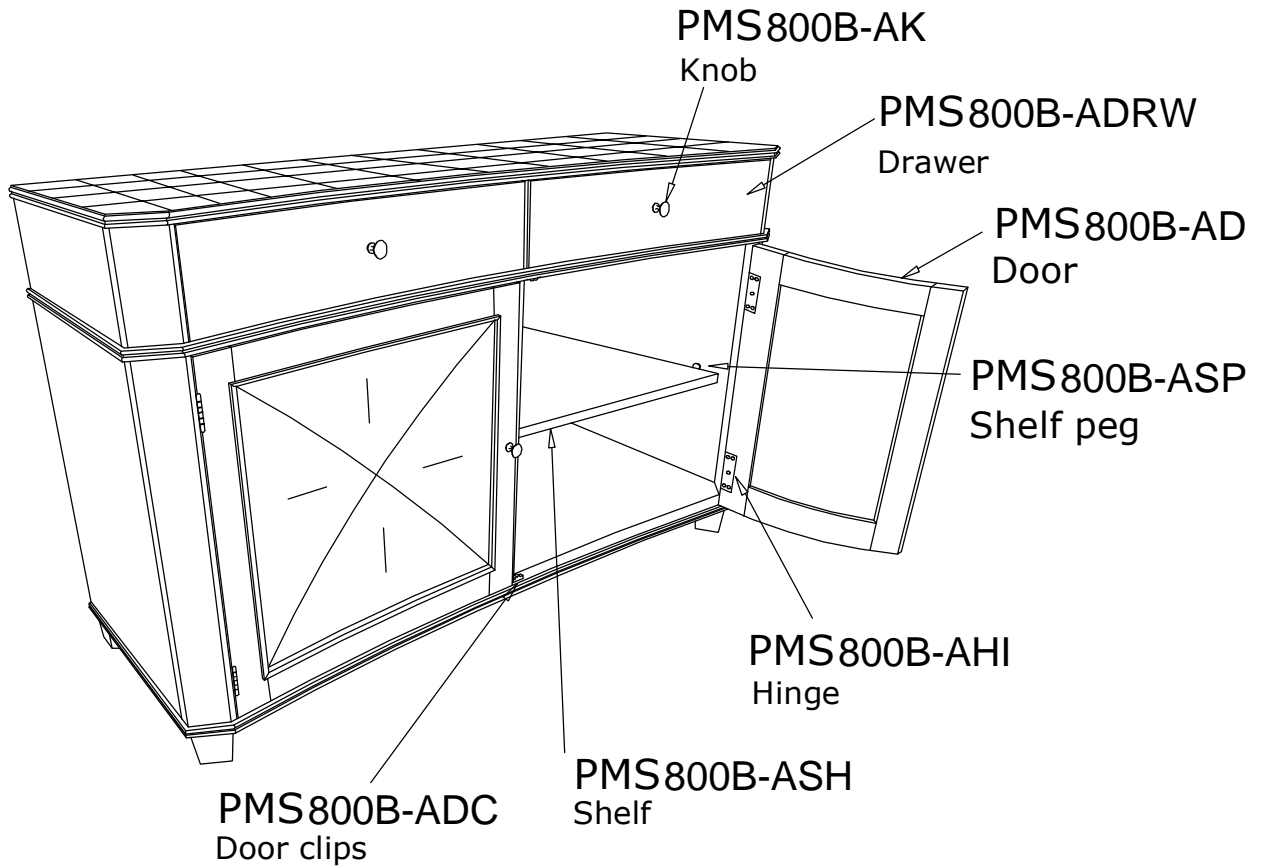
- *Keeping surface free of debris or sharp objects
- *Using place mats for all dishes, glasses & like items
- *Wipe up spills immediately ,acidic food and beverages can stain leaving a dull mark.
- *Avoid contact with chemicals (ie. inappropriate cleaning agents)
- *Clean with PH neutral products or those especially formulated for use on marble ,dull spots can be repaired by a specified marble polish or consult a marble technician for best results .

Caring for the Fabric on Upholstered Furniture:

- Frequent vacuuming of the entire upholstered area will prevent dust from settling into the fibers.
- Professional cleaning is always recommended for all upholstered pieces.
- Do not use cleaning products containing brightening agents.

VERY IMPORTANT!!			
<p>NEVER USE GLASS CLEANERS ON FINISHED SURFACES. AMMONIA WILL CHEMICALLY ATTACK THE FINISH.</p>	<p>DO NOT WRITE DIRECTLY ON SURFACE </p> <p>PREVENT MARKING</p>	<p>DO NOT PLACE DIRECTLY IN SUNLIGHT </p> <p>PREVENT FADING</p>	<p>DO NOT USE PLACEMATS WITH RUBBER BASES </p> <p>PREVENT DISCOLORING</p>
<p>NEVER ALLOW LIQUIDS OF ANY KIND TO LINGER ON SURFACES. ABSORPTION CAUSES THE WOOD TO WARP AND THE FINISH TO DE-LAMINATE.</p>	<p>DO NOT USE COMMERCIAL POLISHES AND WAXES </p> <p>PREVENT YELLOWING</p>	<p>DO NOT PLACE HOT POTS, ETC ON SURFACE </p> <p>PREVENT DAMAGE TO FINISH!</p>	<p>REGULATE THE HUMIDITY CONDITIONS AT YOUR HOME </p> <p>PREVENT SPLITTING</p>

PARTS FOR MS800B-A

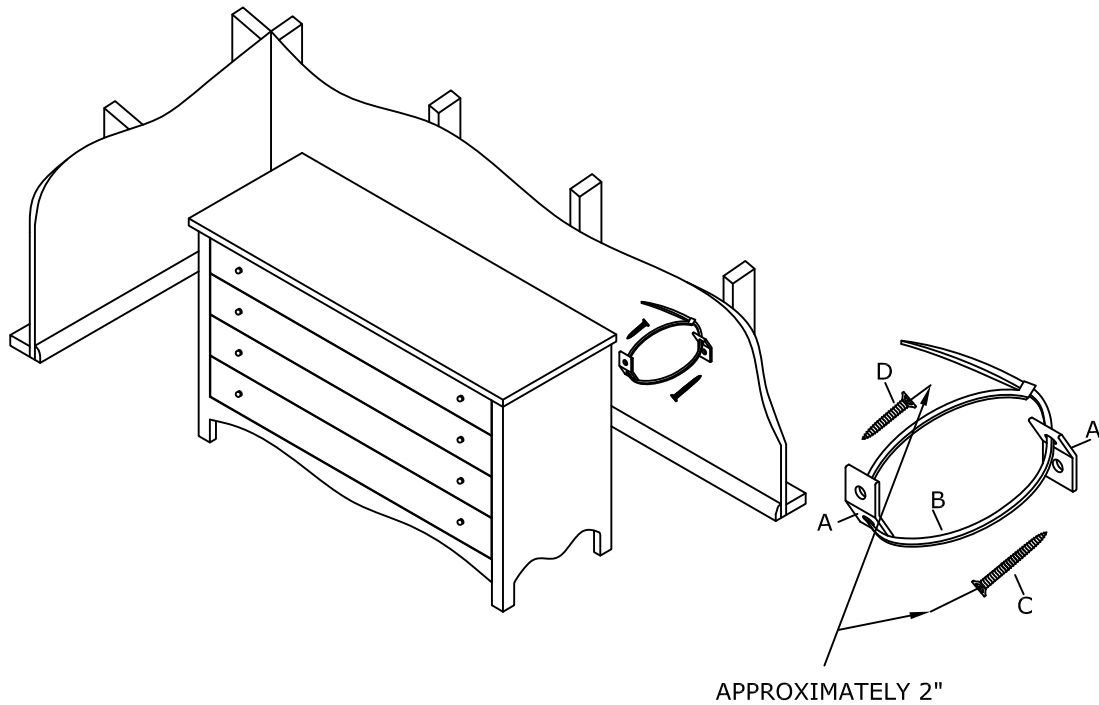


PRODUCT DETAILS	
TOP	ASH VENEER ON MDF
SIDE BOARD	ASH VENEER ON PB+PINE
BACK BOARD	MDF+HARDWOOD
BOTTOM SHELF	ASH VENEER ON MDF
PRODUCT SIZE	1395X506X864mm
CARTON SIZE	1460X570X930mm
NET WEIGHT	54 KG
GROSS WEIGHT	65 KG
CUFT	0.77m3

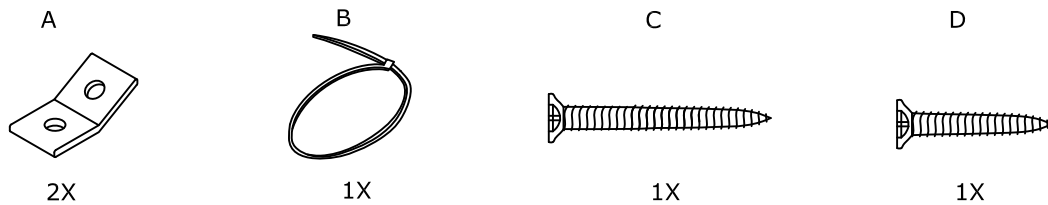
MADE IN CHINA

Imported by Furniture Solutions(Aust) Pty Ltd
 10-16 Daisy Street, Revesby NSW 2212, Australia

ANTI-TIPPING INSTRUCTION



Parts Enclosed:



Installation Instructions:

This tip restraint must be attached to a wall stud using the 2" screw enclosed.

1. Attach a bracket securely to the back top rail of the furniture using the 5/8" screw provided, through the smaller hole.
2. Locate the other bracket on the wall over a wall stud and 2 inches below the mounting bracket secured to the back of your unit. Attach to the wall stud using the 2" screw provided, through the smaller hole.
3. Place the furniture into position so both mounting brackets vertically in line
4. Lace the end of the restraint strap through the larger hole in each mounting bracket. Bring both ends together and slide the flat end through the locking end and draw it through until all slack is removed.
5. Confirm that the strap is securely laced and locked.