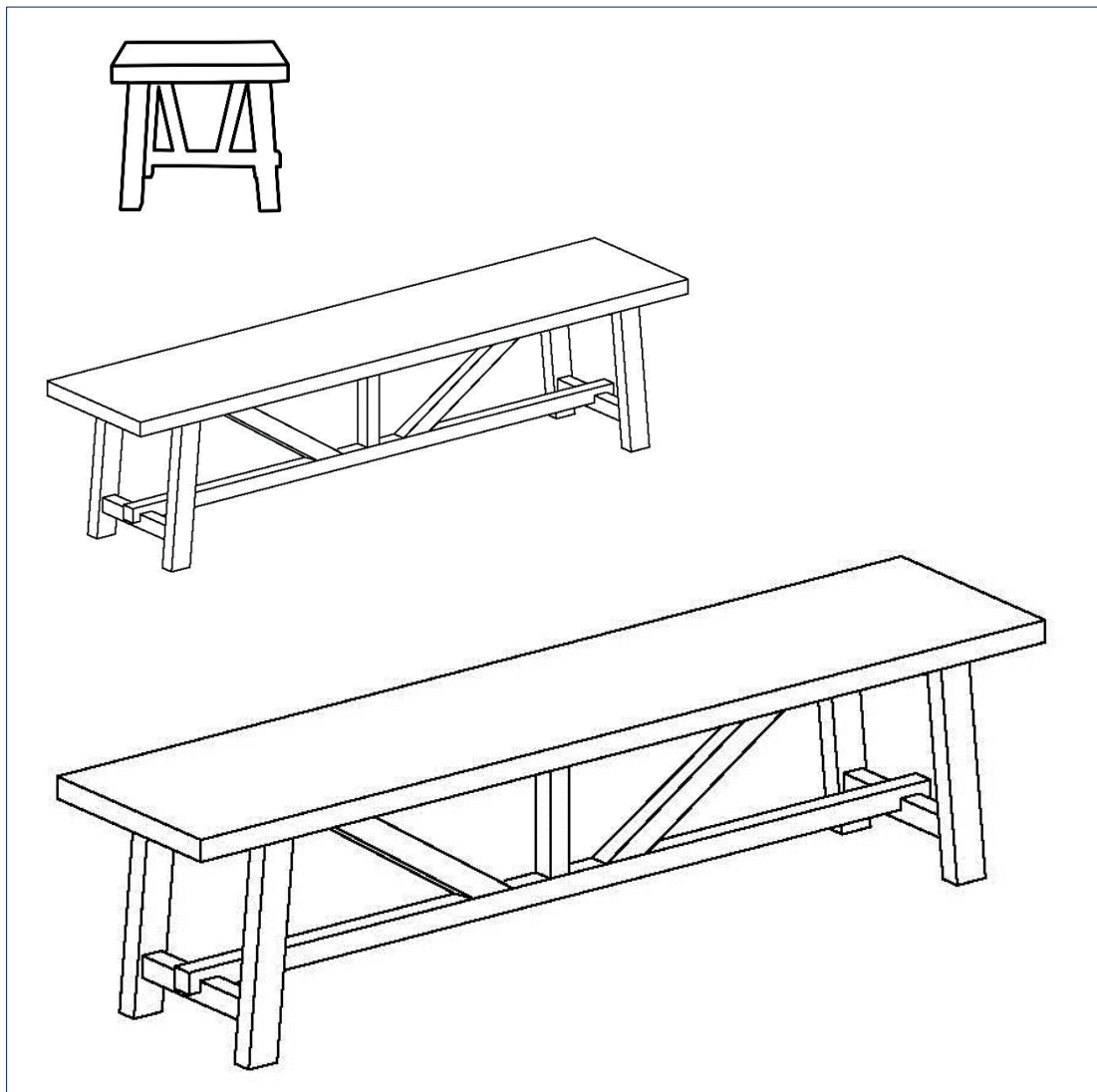


INSTRUCTION MANUAL

MUNICH BENCH

ITEM CODE: 18MUNB1-B2-B3

This manual is for 3 Bench Seat models
Images may not look the same size as your
purchased item, but instructions are the same
for all.



Imported by Furniture Solutions (Aust) Pty Ltd New South Wales, Australia.

For any assistance with assembly or for missing parts please contact:

Place of purchase or Furniture Solutions on below

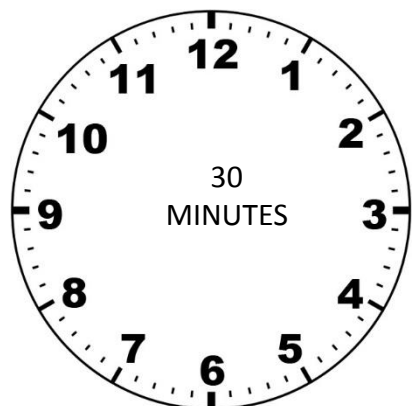
Customer Service (Australia) Phone-1300 794 188

Email- customerservice@furnituresolutions.com.au

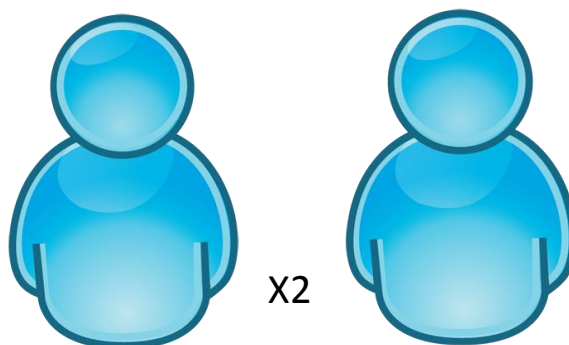
PRE-ASSEMBLY PREPARATION

Before you start:

1. Choose a clean, level, spacious assembly area. Avoid hard surfaces that may damage the product
2. Take care when lifting. Product should be assembled as near as possible to the point of use
3. Ensure that you have all required contents for complete assembly
4. Always read the assembly instructions carefully before beginning assembly.
5. Keep all hardware parts and packaging out of reach of small children.
6. Do not over tighten the screws and bolts as this may damage the threads



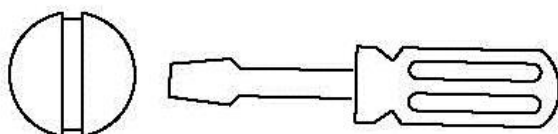
ALLOW TIME



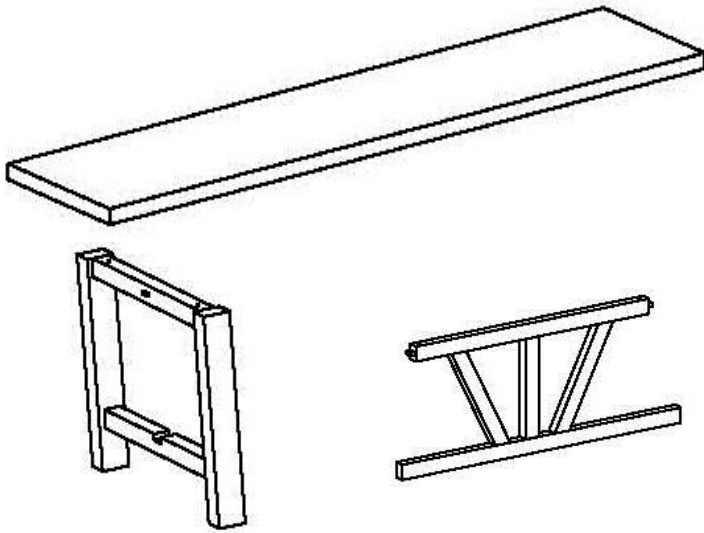
PEOPLE REQUIRED

Please note that timber used in product will require oiling after assembly is complete.

Tool required to complete assembly



COMPONENT & FITTINGS LIST

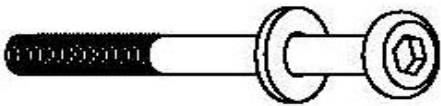





	PART	STOOL CODE
1	BENCH TOP x 1	P.04706F3.BT
2	LEG FRAME x 2	P.04706F3.LF
3	CROSS BASE x 1	P.04706F3.CB

	PART	1.6M CODE
1	BENCH TOP x 1	P.04706F2.BT
2	LEG FRAME x 2	P.04706F2.LF
3	CROSS BASE x 1	P.04706F2.CB

	PART	2.2M CODE
1	BENCH TOP x 1	P.04906F2.BT
2	LEG FRAME x 2	P.04906F2.LF
3	CROSS BASE x 1	P.04906F2.CB

Fittings

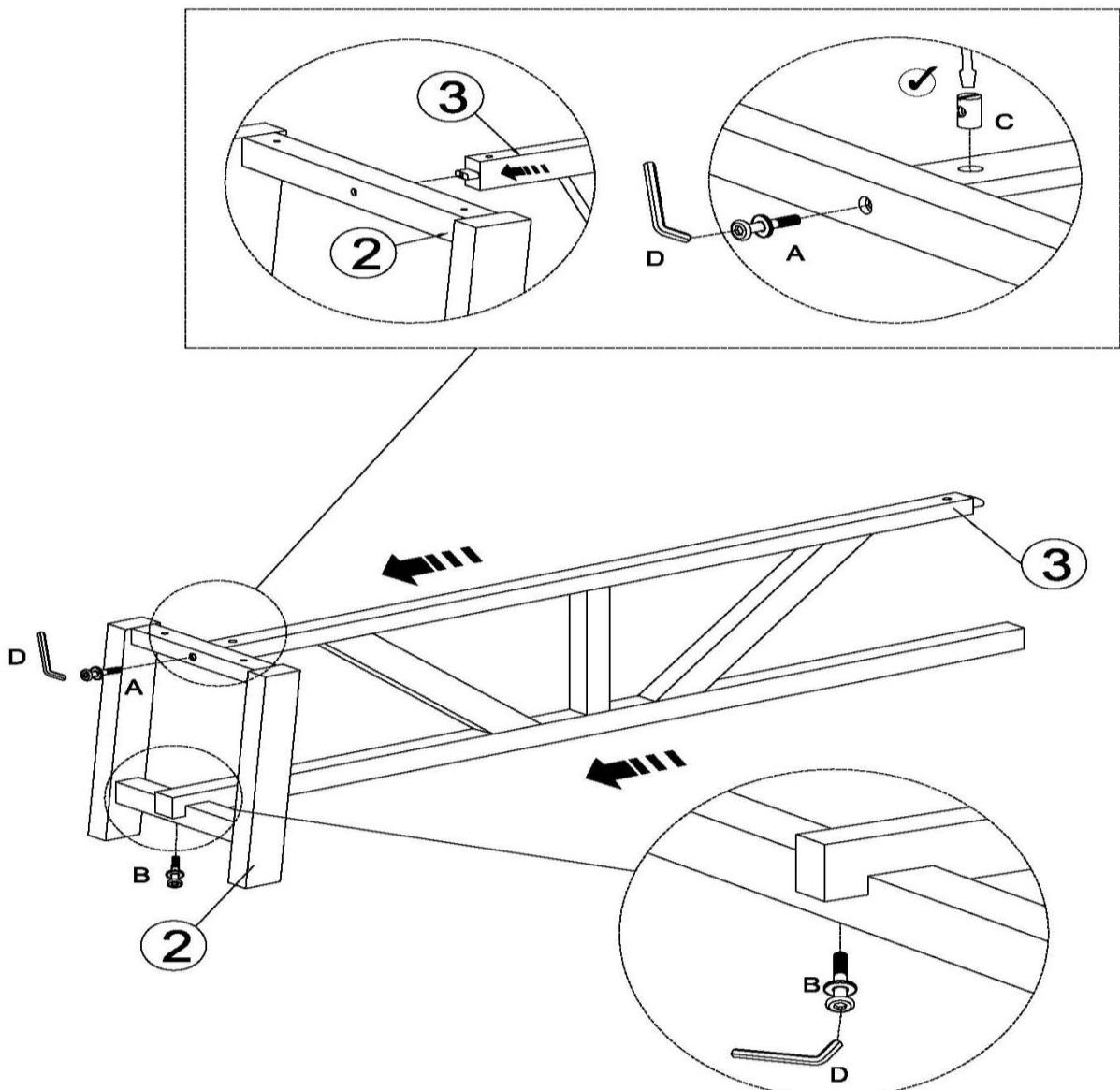
A	 $\text{Ø}6 \times 90$	x 2
B	 $\text{Ø}6 \times 45$	x 6
C	 $\text{Ø}6 \times 20$	x 2
D	 $\text{Ø}4 \times 60$	x 2

Assembly Instructions

Prepare product as per page 2:

Build Timber Frame: Fit Leg frame

You will note that leg frame [2] sit at angle. Stand leg frame as indicated in diagram below, next with the help of another person align the cross base as indicated below, insert tongue of timber into hole on inside of leg frame and align the lower part of cross base as shown below. Next take slotted nut [C] insert into hole in top of cross base. Ensure slot is facing up, then take long bolt with washer [A] insert thru hole in leg frame as shown below. Ensure to seat thread correctly into slotted nut, use flat tip screw driver to align bolt and slotted nut as indicated below. Please thread bolt by hand as you will be able to feel once thread is aligned correctly do not tighten yet. Next take bolt and washer [B] insert thru hole as indicated below, again fit by hand to ensure bolt is seated correctly into thread. Once both bolts are seated correctly table tool [D] and tighten both bolts. Repeat for second Leg Frame. Move to next page.



ASSEMBLY INSTRUCTIONS

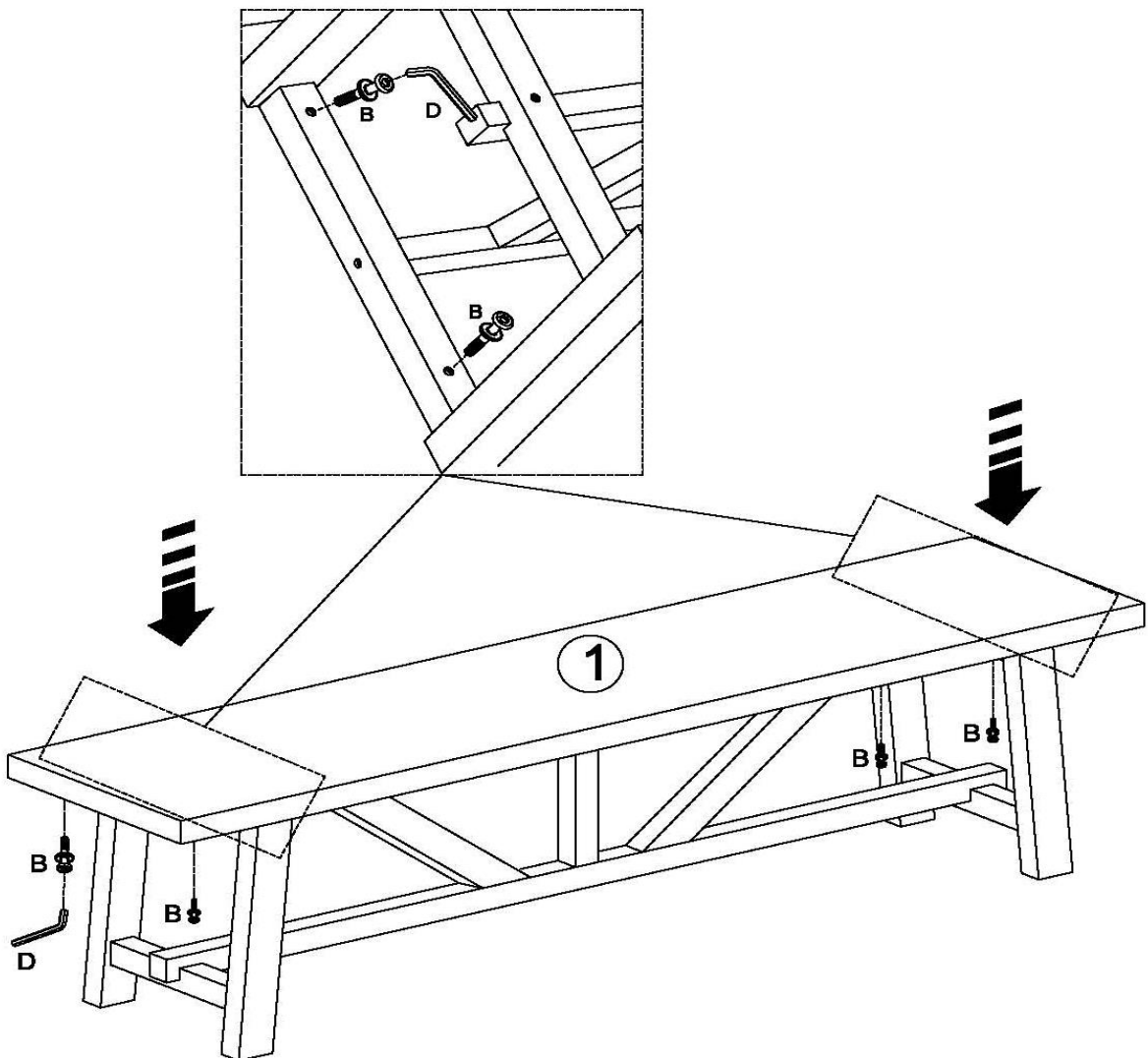
STEP 2: FIT BENCH TOP TO BASE

Please note this is a very heavy item and will require 2 reasonably strong people to pick up and place into position.

With the help of another person or two remove top from carton. Ensure holes in bottom of top (1) are facing towards the ground. With help of another person pick top up by the long edge 1 person each side, centre to balance top on base as per diagram, once top (1) is stable, from under table line up holes between leg and top, move slowly as to not upset balance. Once lined up take bolt [B] & washer insert into hole and by hand seat thread properly, turn 2-3 times, at this point do not tighten, Repeat for all other bolts as per diagram 4 in total. Once all bolts are seated correctly tighten using Allen keys (D) provided. Note do not overtighten just till firm. Assembly Complete

Warning never drag bench always lift FROM THE SIDE and with the help of another person. Dragging can cause damage to product and or your floor surface.

Reverse Close up view



CARE AND MAINTENANCE

Varieties of materials are used in construction of “Outdoor” furniture ranges. All will require some form of maintenance to extend the life of finishes and general appearance. Please see below instruction unique to your chosen product.

Munich Dining Range Construction;

Tops: Concrete

Base: Acacia Timber

Tops;

Cement & sand mixed and poured into a matrix or moulding frame, this produces a panel of required size of 5mm thickness. Then a layer of fiberglass is applied to back of panel to add strength and rigidity and during the assembly process a further support system is added a steel frame to avoid flex. Once this is added another panel is added to seal all panels into a box. Finishing is apply to surface sanding and a final coat of clear paint is sprayed on.

Care Instruction;

Please keep dust free, avoid leaving vegetation on surface as leaves and sap can leave stains that can not be removed. Avoid leaving spills on surface as orange juice & alcohol are acidic and will damage surface coating if left unattended for any length of time.

Regular cleaning please use a soft bristle dust pan brush or a soft clean cloth, using a hose is permissible but not at high pressure, please pat dry as the trace minerals in water may leave a mark once water has evaporated (Do Not Use Bore Water).

Included in packaging is a small can of wax, note this is for cleaning of grime build up. Using a soft clean cloth you apply the wax in a circular motion to affected area, with this action the wax then picks up the grime and retains the grime within its self, then with a soft clean cloth remove the wax taking the grime with it. Repeat if necessary. Note may not clean up all especially any dye based grime and or chemicals.

Base: Acacia Timber

Natural finish on timber will require treatment to reduce swelling of timber from moisture intake. Please apply a clear coating of decking oil (solvent based) once you have assembled and follow advice from hardware specialist or from the can for future maintenance.

Wood is a living material and over time minor cracks and colour changes will occur. This is a natural reaction for timber exposed to the elements. Oiling is the key to reduce effects.

Definition of Regular Cleaning;

Numerous factors can influence the time frame for cleaning, depending area you live in, the weather, positioning of the product (fully protected, partial protection, fully exposed to the elements). You will need to monitor yourself to establish the cleaning requirement for your unique situation.

Areas with high salt content and or pollution will require the most frequent cleaning. To reduce some maintenance you should buy and use an outdoor cover to protect your furniture from the elements when not in use.

SAFETY WARNINGS AND ADVICE

Notices and Advice

Please be advised that products are limited in design for residential use only and are not suitable for commercial use.

Please be advised that materials used in your furniture are not impervious to neglect, acts of god, abuse, alcohol spills, improper use of chemicals such as bleach or any solvent based products.

Please be advised that heat sources such as barbeques, open fires, temporary/mobile/overhead heaters, poorly insulated candle holders, hot pots, pans, hot serving dishes can have adverse affects on your furniture.

Please be advised that fitting, bolts, nuts and or screws should be checked periodically to ensure they have not loosened over time. Remember do not overtighten.

Please be advised coverings are not animal proof. Claws can scratch covering & saliva is acidic and can damage finish.

Please be advised that continues exposure to the elements will reduce the life of finishes and fittings.

DO NOT

- Place in close proximity to open flame or heaters.
- Leave spills or food, clean off immediately
- Pull loose thread, cut them instead.
- Sit or lean on arms
- Stand on chair or bench's
- Stand on table tops
- Place heavy objects on table tops
- Place objects such as pot plants as a display piece on tables recommend weight restriction for table top is 60kg across the table.

Safety warnings

- DO NOT:
- drop, drag always move furniture with the help of another person lift and place only
- Over load bench seats recommended weight evenly distributed is 360kg IE: 3 people 120kg each; 4 people 90kg each.
- Tables, chairs & bench's are designed for seating, not work bench's.
- Allow child to play under table

Warranty Detail:**1 Year Warranty**

A one (1) year warranty applies to product against any defect associated with faulty workmanship for a period of (1) year from date of purchase.

Furniture Solutions accepts no responsibility for defects caused by incorrect assembly, mishandling, acts of god, general wear & tear, stains from spills/vegetation, chipping/scratching, exposure to extreme heat/cold, mould/mildew, hardware corrosion, misuse of the products & defects caused by failure in duty of care for the product in accordance with the care instructions. Warranty only extends to original purchaser and is not transferable, except when given as a gift. Goods are limited in design for domestic use only, and are not suitable for commercial use.

Duty of care:

While every attempt is made to supply product using quality components there is always a need from consumer to help ensure a long life of use for product.

*Proper use of item, only what it is designed to do. Designed for dining, not suitable for use as a workbench, substitute ladder or dance floor.

*Regular maintenance and cleaning: Please consult your Instruction manual included in packaging for advice of cleaning

*Protecting product from the harsh environment: Pollution, excessive moisture & heat.

To extend the life of your outdoor furniture we recommend the following furniture covers must/should be used on furniture which is used in areas not protected from elements.

Caution should be used when using oils, lotions & other chemicals such as chlorine not to spill on furniture.

Instruction Manual – Have been written to suit individual materials used in construction, please retain for future use for duty of care, assembly, parts & component sizing.

Claim management:

To make a warranty claim, customers can either contact the retailer where the purchase was made or Furniture Solutions on contact details below. Proof of purchase will be required before proceeding with any claim. In the case of product defects providing photos may be able to speed up processing of the claim. If missing parts please refer to assembly instructions for identification of said part and contact either of the above.

“Our goods come with guarantees that cannot be excluded under the Australian Consumer Law. You are entitled to a replacement or refund for a major failure and for compensation for any other reasonably foreseeable loss or damage. You are also entitled to have the goods repaired or replaced if the goods fail to be of acceptable quality and the failure does not amount to a major failure”.