

Furniture Solutions (Aust) Pty Ltd

10-16 Daisy St,

Revesby, NSW. 2212

www.furniture-solutions.com.au

INSTRUCTION MANUAL

PRODUCT: TREND 60cm TABLE

CODE: 17ARC01W

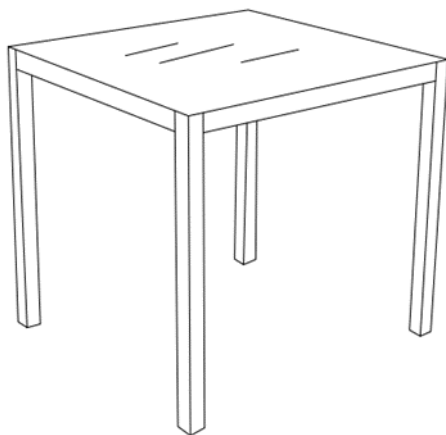
MADE IN CHINA

Please retain these pages as they contain tips to maximize the lifetime of your furniture with a measured effort.

Properly caring for your furniture can help ensure that it looks great year after year.

Important Notice: While every effort is made to use quality materials our products are limited in design for domestic use only & are not suitable for commercial use.

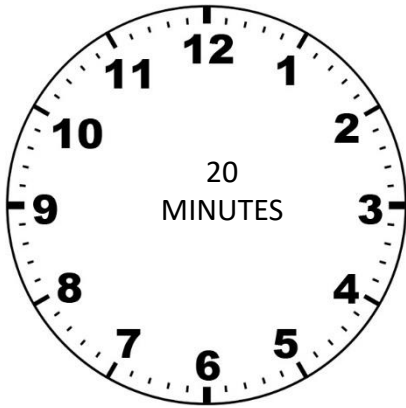
Trend 60cm Square Table



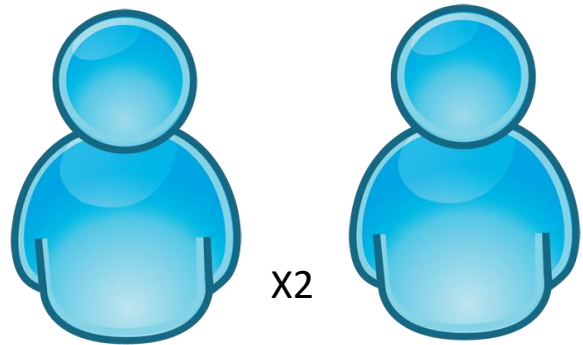
PRE-ASSEMBLY PREPARATION

Before you start:

1. Choose a clean, level, spacious assembly area. Avoid hard surfaces that may damage the product
2. Take care when lifting. Product should be assembled as near as possible to the point of use
3. Ensure that you have all required contents for complete assembly
4. Always read the assembly instructions carefully before beginning assembly.
5. Keep all hardware parts and packaging out of reach of small children.
6. Do not over tighten the screws and bolts as this may damage the threads



ALLOW TIME

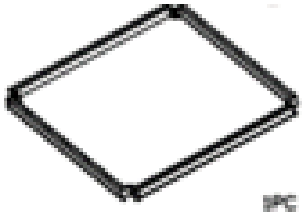




PEOPLE REQUIRED

Parts List

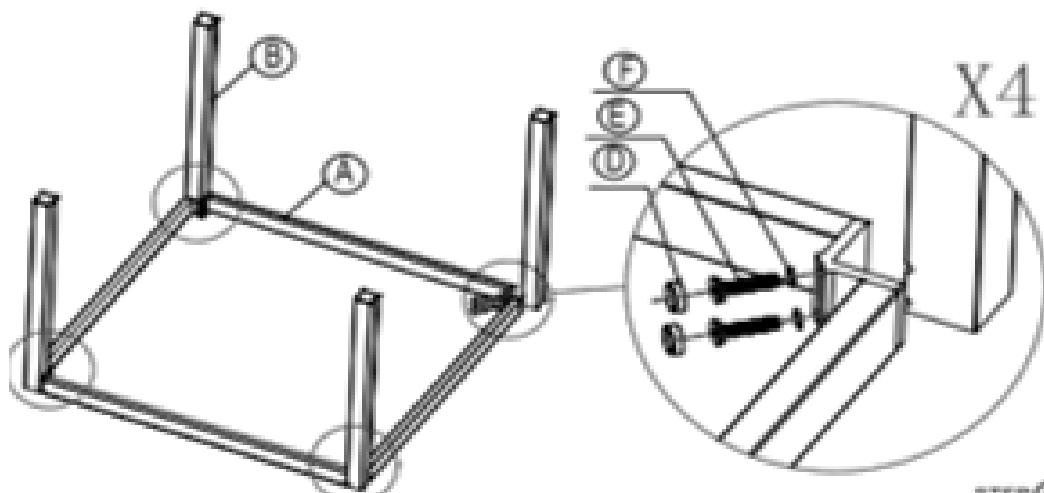
D: x 8 Bolt Cover M6	
E: x 8 Bolt M6-30mm	
F: x 8 Spring Washer M6	
G: x 8 Tool M6-4mm	

Component List

A: x 1 Table Rim	
B: x 4 Table Leg	
C: x 1 Glass Panel	

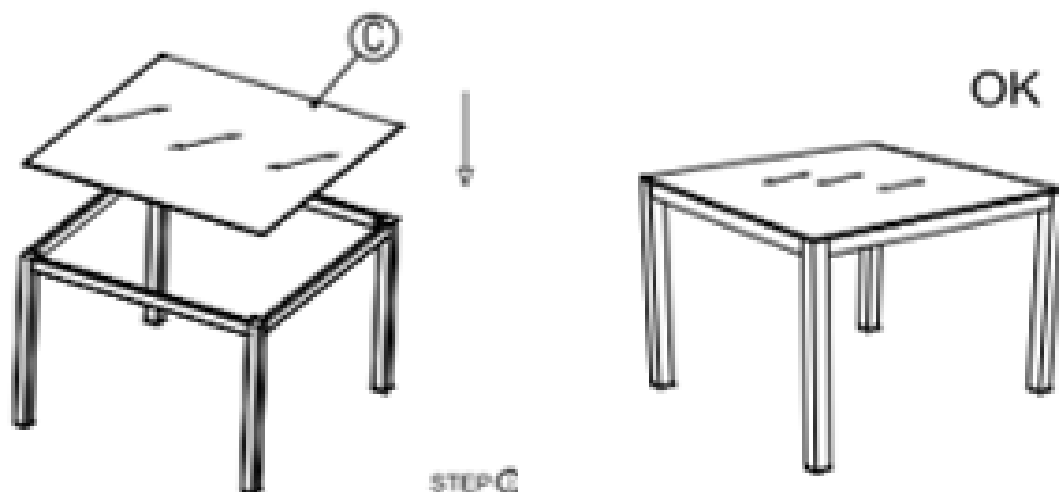
ASSEMBLY STEP 1- ATTACH TABLE LEG

Note once unboxed move glass panel from working area and put in a safe place. Identify top of table from bottom of table, top will have glass bumpers attached. Place Table Rim [A] upside down on a soft clean surface IE: Blanket. Take leg [B] and place against table rim as indicated in diagram. Take bolt [E] together with spring washer [F] insert thru hole in table rim, then by hand seat thread properly into leg turn 2-3 times to ensure solid grip. Do not Tighten yet. Repeat for second bolt. Once both seated correctly take tool [G] and tighten bolts till firm. Note do not overtighten as may cause damage to thread. Repeat for all other legs. Add to top of bolts the bolt cover [D] Push on with thumb. Move to Step2



ASSEMBLY STEP 2—FIT GLASS PANEL

With the help of a second person lift table into air and rotate till feet can touch the ground. With the help of another person pick up glass panel [C] with shiny side up. Place evenly on glass bumpers & square up glass edges with table rim. Assembly complete. Always move table by lifting form under frame never drag.



CARE AND MAINTENANCE

Aluminium Frame Information

The majority of frames are mainly produced from aluminium, with the main benefit being a light weight product for easier use. Some designs require steel to be used in certain sections for added strength. While aluminium is rust resistant, bare metal can show signs of oxidation (red film) this does not constitute rust. Simply you are able to wipe or sand surface to remove oxidation mark.

Note you will need to touch up affected area with paint to stop from reoccurring. Steel itself has a lower resistance to elements than aluminium and will show signs of rust as it ages. Limited exposure & maintenance are best solutions for adding life to any furniture used in outside areas.

Aluminium Frame Maintenance

Use a bucket filled with warm water & a soft soap, sponge over frame till clean, once clean rinse off with a hose, pat dry with a soft clean cloth before use. Every 4-6 weeks.

Note when cleaning if you find scratches in paint please cover with a paint to prevent oxidation.

Glass Maintenance

Glass used is tempered for your safety; best results are to use placemats & coasters to avoid scratching surface. Keep dust free, with floating glass please lift and clean underside of glass with a soft clean cloth. Use of normal glass cleaning product is permissible but please rinse surrounding areas with clean water to avoid damage to wicker or paint on aluminium frame

WARNINGS, SAFETY & ADVICE

Please be aware materials used in your furniture are not impervious to neglect, acts of god, abuse, alcohol spills, improper use of chemicals such as bleach or any solvent based product, products are limited in design for residential use only and not suitable for commercial use.

Please be aware that heat generated from barbeques and heaters will have an adverse effect on your furniture do not place furniture in close proximity to heat sources.

When moving tables, chairs, sofas or bench's always lift off the floor never drag. Most tables would require a 2 person lift doing so benefits yourself and furniture as dragging may cause damage to furniture and or surface on flooring.

Do not stand on furniture for your own safety & for the sake of the furniture

Never strike glass

Never drag or lean back chair, sofa, benches whilst sitting on them

Tables, chairs, sofas & benches are not work benchers please only use as intended.

Fitting; bolts, nuts & screws should be checked periodically to ensure they are still firm.

Note do not over tighten.

Please secure furniture during in climatic weather, as lightweight aluminium can become a projectile

Polywood is made up of plastic material, be aware that high temperatures will soften the lumber panels, please keep out of direct sunlight at all times, ensure hot or cold containers have sufficient insulation between surface of table and said container IE: Coffee cups, plates with hot food, do not place of surface at any time candles, fry pans & any other utensil that retains heat. Always use place mats made of cork, tile or wood. Fabric place mats provide no protection from heat.

Please be aware of staining fabric; Suntan oil, alcohol, juices & other chemical may do permanent damage to your covering, should be cleaned immediately

General wear & tear on cushions, please rotate cushions were possible as filling will soften with use, replacement cushion fillings can be purchased from local upholster if required in future.

General wear & tear fabrics, most synthetic fabric resist pilling but pilling can occur from transference from other fabric that come in contact with material IE: Cotton clothing & or towels.

Do not allow children to play under tables

In summary outdoor furniture products require care to provide you with many years of use. Best results are to combine maintenance and protection from environment + the use of an outdoor cover can give you better result with least amount of effort.

Warranty Details

1 Year Warranty

A one (1) year warranty applies to product against any defect associated with faulty workmanship for a period of (1) year from date of purchase.

Furniture Solutions accepts no responsibility for defects caused by incorrect assembly, mishandling, acts of god, general wear & tear, stains from spills/vegetation, chipping / scratching, and exposure to extreme heat/cold, mould/mildew, hardware corrosion, misuse of the products & defects caused by failure in duty of care for the product in accordance with the care instructions. Warranty only extends to original purchaser and is not transferable, except when given as a gift.

Duty of care:

While every attempt is made to supply product using quality components there is always a need from consumer to help ensure a long life of use for product.

*Proper use of item, only what it is designed to do

*Regular maintenance and cleaning

To extend the life of your outdoor furniture we recommend the following furniture covers should be used on furniture which is used in areas not protected from elements. Caution should be used when using oils, lotions & other chemicals such as chlorine.

Instruction Manual – Have been written to suit individual materials used in construction, please retain for future use for duty of care, assembly, parts & component sizing.

Claim management:

To make a warranty claim, customers can either contact the retailer where the purchase was made or Furniture Solutions on contact details on page 1. Proof of purchase will be required before proceeding with any claim. In the case of product defects providing photos may be able to speed up processing of the claim. If missing parts please refer to assembly instructions for identification of said part and contact either of the above.

"Our goods come with guarantees that cannot be excluded under the Australian Consumer Law. You are entitled to a replacement or refund for a major failure and for compensation for any other reasonably foreseeable loss or damage. You are also entitled to have the goods repaired or replaced if the goods fail to be of acceptable quality and the failure does not amount to a major failure".