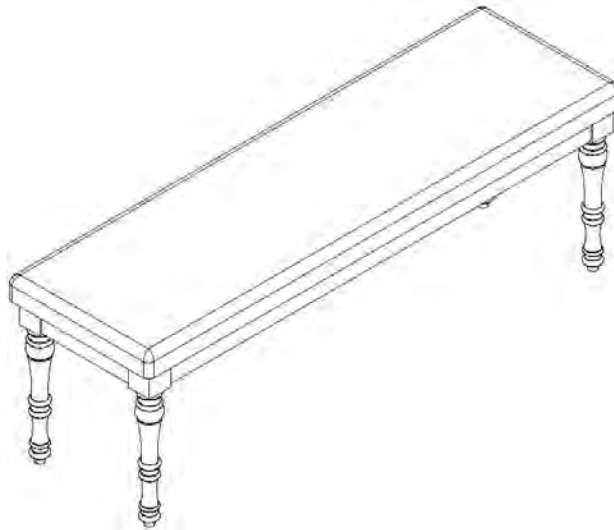


Imported by Furniture Solutions (Aust) Pty Ltd  
10-16 Daisy St,  
Revesby, NSW. 2212  
www.furniture-solutions.com.au

BELLE BENCH SEAT  
144\*38\*46cm  
Code: 21BELBS.S



**VERY IMPORTANT!!**

**NEVER**  
USE GLASS CLEANERS  
ON FINISHED SURFACES.  
AMMONIA WILL  
CHEMICALLY ATTACK  
THE FINISH.

DO NOT  
WRITE  
DIRECTLY  
ON  
SURFACE



**PREVENT  
MARKING**

DO NOT  
PLACE  
DIRECTLY  
IN  
SUNLIGHT



**PREVENT  
FADING**

DO NOT  
USE  
PLACEMATS  
WITH  
RUBBER  
BASES



**PREVENT  
DISCOLORING**

**NEVER**  
ALLOW LIQUIDS OF ANY  
KIND TO LINGER ON  
SURFACES. ABSORPTION  
CAUSES THE WOOD TO  
WARP AND THE FINISH  
TO DE-LAMINATE.

DO NOT USE  
COMMERCIAL  
POLISHES  
AND WAXES



**PREVENT  
YELLOWING**

DO NOT  
PLACE HOT  
POTS, ETC.  
ON  
SURFACE



**PREVENT  
DAMAGE TO  
FINISH!**

REGULATE  
THE  
HUMIDITY  
CONDITIONS  
AT YOUR  
HOME



**PREVENT  
SPLITTING**

---

## Pre-Assembly Preparation

Choose Location for assembly with below in mind  
Level, Spacious, Clean and close to area item will be used.

To protect floor surface and product we recommend the use of a soft clean blanket or like item on your work space.

---

## Before you start check off below

Ensure you have all components required to complete assembly  
Check components for any damage  
Ensure you check off hardware list and identify what they are  
Have you read instruction from start to finish

---

## Safety

Never allow children to play in your work space  
Ensure to keep small parts away from children. To avoid choke risk.  
Never fully extend yourself when assembling or lifting components



### **Avoid use of powered/battery drills.**

Improper use of drills can irreversibly damage fittings  
Improper assembly does fall under warrantable claim



Please retain your assembly instruction for future use.

---

## Missing Parts, Damaged Component, Will not go together

Please contact your place of purchase or  
Furniture Solutions Customer Service (Australia)  
Email: [customerservice@furnitureolutions.com.au](mailto:customerservice@furnitureolutions.com.au)  
Phone: 1300 794 188

# HARDWARE PACK

<b>A</b>		Bolt 50mm x 8mm	8 pcs
<b>B</b>		Spring Washer 8mm	8 pcs
<b>C</b>		Flat Washer 22mm	8 pcs
<b>D</b>		Allen Key 5mm	1 pc

**MADE IN CHINA**

Imported by Furniture Solutions (Aust) Pty Ltd  
10-16 Daisy Street, Revesby NSW 2212, Australia

# ASSEMBLY INSTRUCTIONS

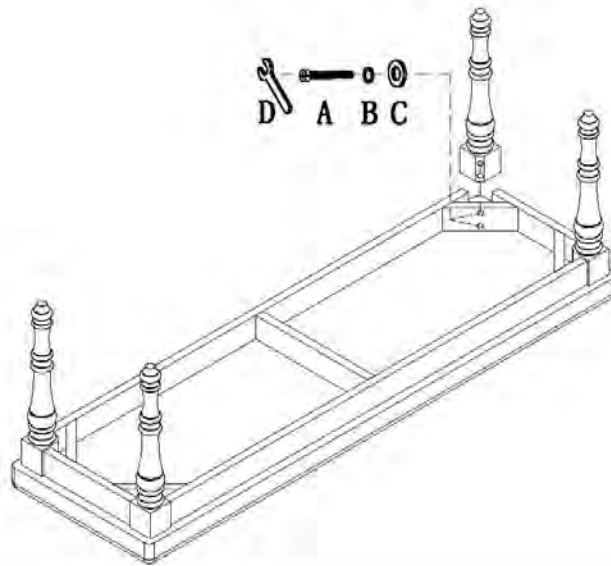
Do not fully tighten bolts and screws until the entire item is completely assembled

## Step 1

Place Bench, top down, onto a clean soft dry level surface, for example carpet or a rug. Place legs into position and insert bolt/washer/tension washer through the timber bracket into the nuts already mounted in the table legs.

Ensure the washers are fitted to the bolt in the order shown on the illustration below.

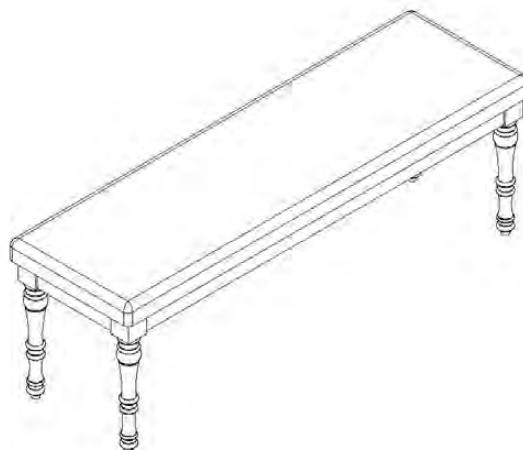
Tighten all bolts until secure but do not overtighten or use power tools to tighten.



## Step 2

**NOTE: A MINIMUM OF 2 PEOPLE ARE REQUIRED TO COMPLETE STEP 2 IN A SAFE MANNER AND TO AVOID DAMAGE TO THE BENCH WHICH WILL NOT BE COVERED BY THE WARRANTY.**

After all leg bolts are securely tightened, a person should stand at each end (not the sides) and turn the Bench onto its side and then gently turn over onto the legs whilst taking care not to allow weight to be put onto the legs before the Bench is fully turned over.



## **SAFETY WARNINGS AND ADVICE**

### ***Notices and Advice***

Please be advised that materials used in your furniture are not impervious to neglect, acts of god, abuse, alcohol spills, improper use of chemicals such as bleach or any solvent based products.

Please be advised that heat sources such as direct sunlight, log fires, heaters and air conditioners can have adverse affects on your furniture.

Please be advised that fitting, bolts, nuts and or screws should be checked periodically to ensure they have not loosened over time. Remember do not overtighten.

Please be advised that products are limited in design for residential use only and are not suitable for commercial use.

#### **DO NOT**

- place in direct sunlight.
- place in close proximity to open flame or heaters.
- place in direct line of air conditioning ducting.

### ***Safety warnings***

#### **DO NOT:**

- drop, drag or strike table surface
- sit or stand upon the table surfaces
- place heavy objects on table top
- place very hot or cold items on the table surface unless adequately thick table mats are used to prevent such items coming in contact with the surface
- scratch the surface or using as a chopping surface
- allow children to play under tables
- Never drag table always move by lifting
- Clean only as per instructions on previous page. Do not use washing powders or any other substances containing abrasives that may potentially scratch the surface

### ***Chairs and Stools***

#### **Do not:**

- use chair/stool as a ladder
- climb on the chair/stool
- stand on the foot-rest of the chair, as this could lead to the stool becoming unbalanced and overturning
- drag chair always lift to move

---

## Warranty Detail

### 1 Year Warranty

A one (1) year warranty applies to product against any defect associated with faulty workmanship for a period of (1) year from date of purchase.

Furniture Solutions accepts no responsibility for defects caused by incorrect assembly, mishandling, acts of god, general wear & tear, stains from spills/vegetation, chipping/scratching, exposure to extreme heat/cold, mould/mildew, hardware corrosion, misuse of the products & defects caused by failure in duty of care for the product in accordance with the care instructions. Warranty only extends to original purchaser and is not transferable, except when given as a gift.

### **Notice:**

While every effort is made to use quality materials our products are limited in design for domestic use only & are not suitable for commercial use.

Care should be taken not to place product near heat sources.

### **Duty of care:**

While every attempt is made to supply product using quality components there is always a need from consumer to help ensure long life of use for product.

Instruction manuals are designed with the nature of materials used in construction of the product.

\*Proper use of item only what it is designed to do

\*Regular maintenance and cleaning

In areas of high content of salt air, pollution & moisture require more frequent cleaning.

### **Claim management:**

To make a warranty claim, customers can either contact the retailer where the purchase was made or Furniture Solutions on contact details below.

Proof of purchase will be required before proceeding with any claim. In the case of product defects providing photos may be able to speed up processing of the claim.

Note costs associated with the warranty claim, other than the rectification of the fault, are the responsibility of the claimant, except those required under the Australian Consumer Law.

The benefits provided to the consumer by the warranty are in addition to other rights and remedies available to the consumer under the law.

If missing parts please refer to assembly instructions for identification of said part and contact either of the above.

Our goods come with guarantees that cannot be excluded under the Australian Consumer Law. You are entitled to a replacement or refund for a major failure and for compensation for any other reasonably foreseeable loss or damage. You are also entitled to have the goods repaired or replaced if the goods fail to be of acceptable quality and the failure does not amount to a major failure.