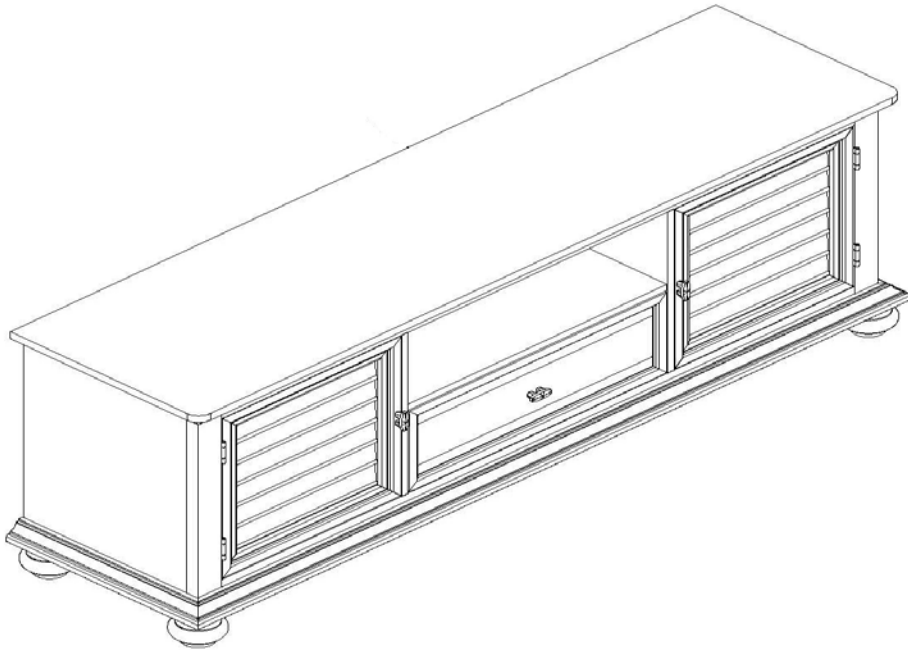


Imported by Furniture Solutions (Aust) Pty Ltd
10-16 Daisy St,
Revesby, NSW. 2212
www.furniture-solutions.com.au

BELLE ENTERTAINMENT UNIT 2 DOORS/1 DRAWER

157*46*91.5cm

Code: 21BELXXX



VERY IMPORTANT!!

NEVER
USE GLASS CLEANERS
ON FINISHED SURFACES.
AMMONIA WILL
CHEMICALLY ATTACK
THE FINISH.



**PREVENT
MARKING**



**PREVENT
FADING**



**PREVENT
DISCOLORING**

NEVER
ALLOW LIQUIDS OF ANY
KIND TO LINGER ON
SURFACES. ABSORPTION
CAUSES THE WOOD TO
WARP AND THE FINISH
TO DE-LAMINATE.



**PREVENT
YELLOWING**



**PREVENT
DAMAGE TO
FINISH!**



**PREVENT
SPLITTING**

Pre-Assembly Preparation

Choose Location for assembly with below in mind
Level, Spacious, Clean and close to area item will be used.

To protect floor surface and product we recommend the use of a soft clean blanket or like item on your work space.

Before you start check off below

Ensure you have all components required to complete assembly
Check components for any damage
Ensure you check off hardware list and identify what they are
Have you read instruction from start to finish

Safety

Never allow children to play in your work space
Ensure to keep small parts away from children. To avoid choke risk.
Never fully extend yourself when assembling or lifting components



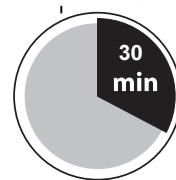
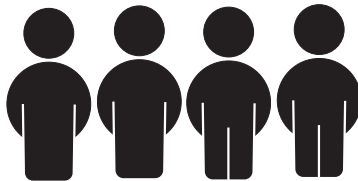
Avoid use of powered/battery drills.

Improper use of drills can irreversibly damage fittings
Improper assembly does fall under warrantable claim

Special Information unique to your product selection

PRODUCT SAFETY WARNING

Special handling is required when you work with heavy furniture.
It is recommended up to four person be available when moving or assembling this product.



HEAVY

HANDLE
WITH CARE

Please retain your assembly
instruction for future use.

Missing Parts, Damaged Component, Will not go together

Please contact your place of purchase or
Furniture Solutions Customer Service (Australia)
Email: customerservice@furnitureolutions.com.au
Phone: 1300 794 188

ATTACHING FEET

**! A minimum of 2 people are required to attach feet.
Avoid serious personal injury or damage to your Entertainment Unit**

Step 1 - Minimum 2 people required

Locate feet which are packed in protective wrapping inside Entertainment Unit

Step 2

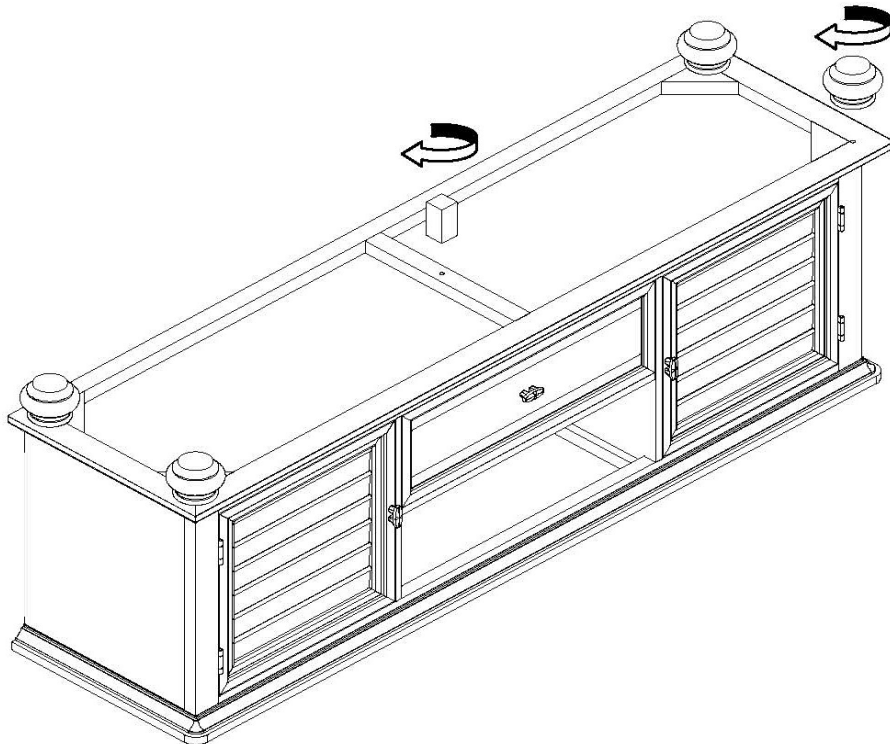
Select a clean, soft and flat surface close to the final intended location. A rug or carpet is good.
Gently roll the Entertainment Unit over until it is resting on it's top.

Securely screw the bolts mounted on the feet into the nuts fitted to the cabinet plinth base.

Screw the Centre Support leg onto the pre-fitted nut.

Refer Page 4 for correct adjustment of Center Support Leg after Entertainment Unit is in its final position.

Do not overtighten feet or legs.



Step 3 - Minimum 2 people required

Carefully roll the Entertainment Unit back onto it's feet, taking care to apply minimum force onto the feet.

PROCEED TO FITTING OF SHELF SUPPORTS AND INSTALLATION OF SHELVING

FITTING SHELVES

	Shelf support and screw	8 PCS each
---	--------------------------------	-------------------

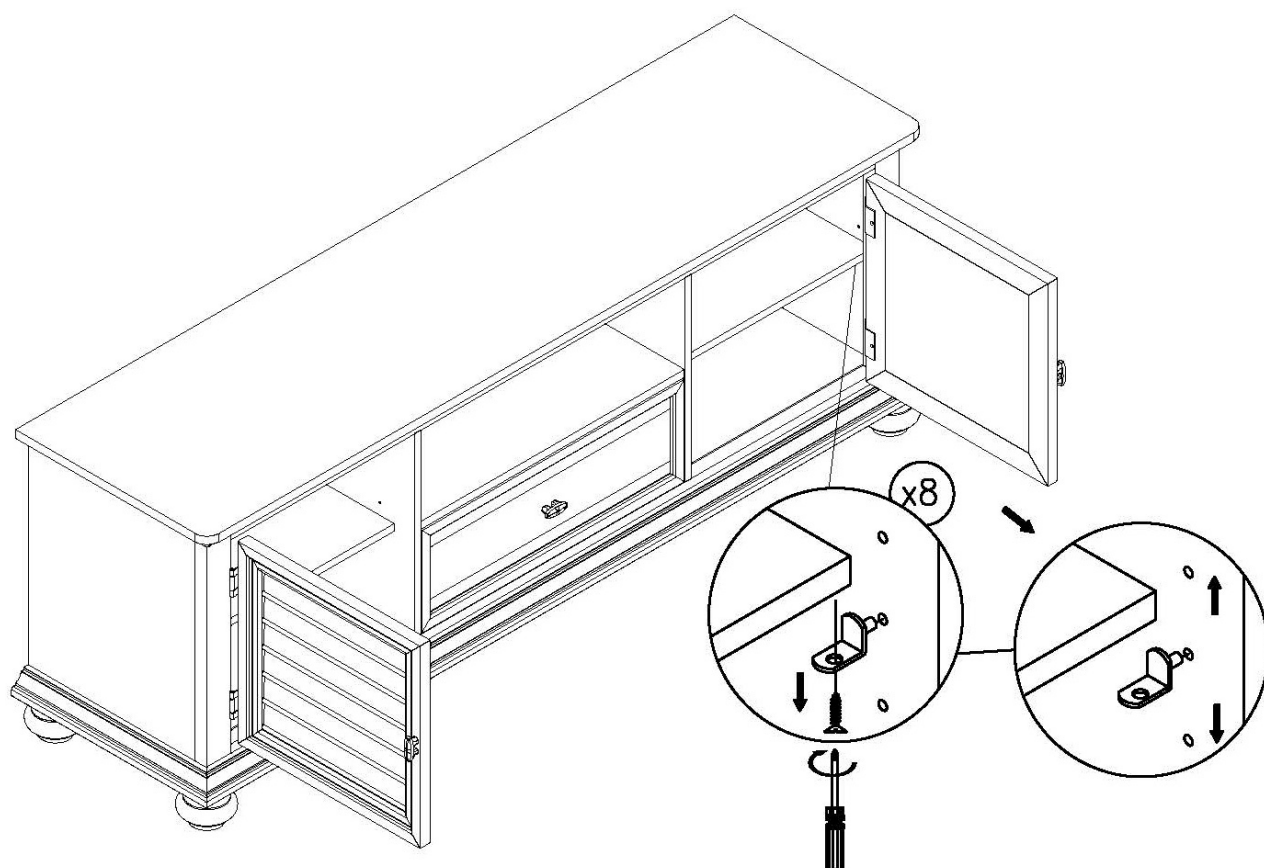
Fitting shelves

Push shelf support (A) firmly into pre-drilled holes until shelf support pin is fully pushed in. Make sure all shelf supports are located at the same level. This can most easily be done by counting the number of holes from top or bottom.

Gently slide shelf into position on top of the support, taking care not to damage the shelf and checking that it is sitting on the top of each shelf support.

Using a Phillips Head screwdriver fit the screws through the hole in each shelf support and firmly secure to the underside of each shelf.

DO NOT USE POWER TOOLS AND DO NOT OVERTIGHTEN SCREWS



CENTRE SUPPORT LEG

Adjusting Centre Support Leg

The cabinet is fitted with support legs to ensure the middle sections are fully supported.

They are fitted with height adjustable feet to allow for uneven floors.

After moving the cabinet to it's final position the support legs need to be adjusted so that they make contact with the floor.

To do this, simply reach under the cabinet and twist the foot to screw it in or out to the required height.

NOTE: Legs must be adjusted until they are only just in contact with the ground.

Do not apply any further screwing force once ground contact has been achieved.

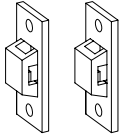
PROCEED TO INSTRUCTIONS FOR FITTING OF ANTI-TIPPING KIT

Help: Missing Parts, Damaged Component, will not go together

Please contact your place of purchase or
Furniture Solutions Customer Service (Australia)
Email: customerservice@furnitureolutions.com.au
Phone: 1300 794 188

ANTI-TIPPING KIT INSTRUCTIONS

Hardware enclosed:



A
(2 x Brackets)



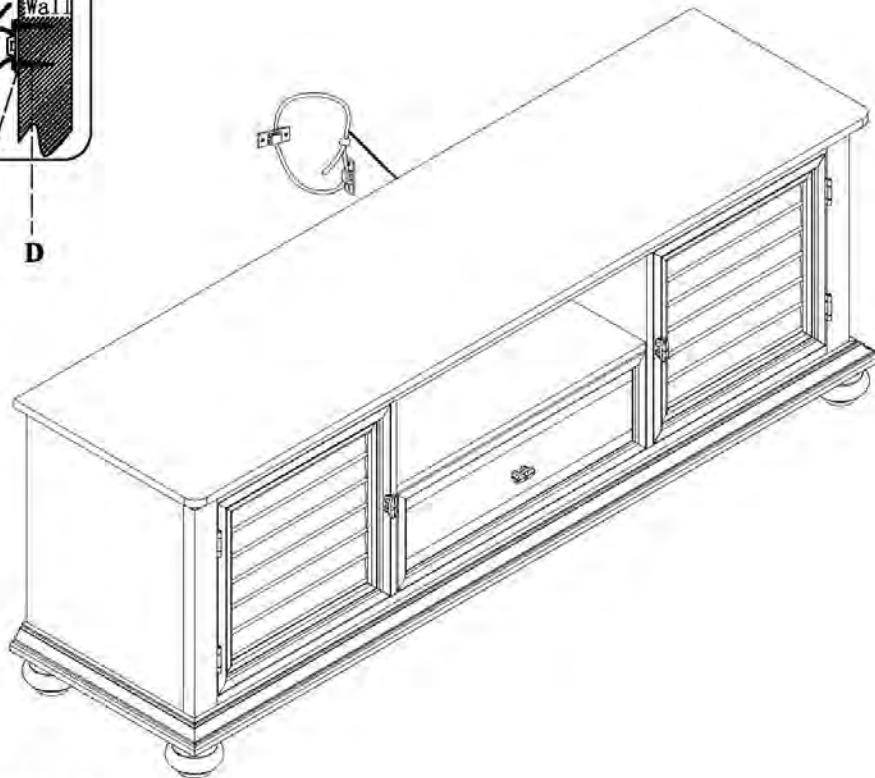
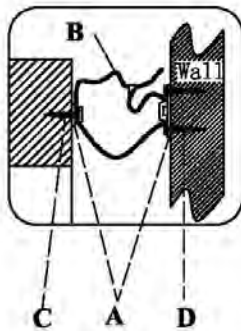
B
(1 x Strap)



C
(2 x Short Screws)



D
(2 x Long Screws)



Installation Instructions

1. Attach a bracket (A) to the wallboard with long screws provided.
2. Attach second bracket (A) to rear of the furniture frame under the top with the short screws provided. Make sure it is screwed into the frame, not just the backing board.
3. Move the furniture into its final intended position.
4. Thread the strap (B) through the slots in the brackets and tighten until snug. Do not overtighten.
5. Make sure the brackets are firmly attached to the the wall/furniture and tat the strap is snug.

SAFETY WARNINGS AND ADVICE

Notices and Advice

Please be advised that materials used in your furniture are not impervious to neglect, acts of god, abuse, alcohol spills, improper use of chemicals such as bleach or any solvent based products.

Please be advised that heat sources such as direct sunlight, log fires, heaters and air conditioners can have adverse affects on your furniture.

Please be advised that fitting, bolts, nuts and or screws should be checked periodically to ensure they have not loosened over time. Remember do not overtighten.

Please be advised that products are limited in design for residential use only and are not suitable for commercial use.

DO NOT

- place in direct sunlight.
- place in close proximity to open flame or heaters.
- place in direct line of air conditioning ducting.

Safety warnings

DO NOT:

- drop, drag or strike table surface
- sit or stand upon the table surfaces
- place heavy objects on table top
- place very hot or cold items on the table surface unless adequately thick table mats are used to prevent such items coming in contact with the surface
- scratch the surface or using as a chopping surface
- allow children to play under tables
- Never drag table always move by lifting
- Clean only as per instructions on previous page. Do not use washing powders or any other substances containing abrasives that may potentially scratch the surface

Chairs and Stools

Do not:

- use chair/stool as a ladder
- climb on the chair/stool
- stand on the foot-rest of the chair, as this could lead to the stool becoming unbalanced and overturning
- drag chair always lift to move

Warranty Detail

1 Year Warranty

A one (1) year warranty applies to product against any defect associated with faulty workmanship for a period of (1) year from date of purchase.

Furniture Solutions accepts no responsibility for defects caused by incorrect assembly, mishandling, acts of god, general wear & tear, stains from spills/vegetation, chipping/scratching, exposure to extreme heat/cold, mould/mildew, hardware corrosion, misuse of the products & defects caused by failure in duty of care for the product in accordance with the care instructions. Warranty only extends to original purchaser and is not transferable, except when given as a gift.

Notice:

While every effort is made to use quality materials our products are limited in design for domestic use only & are not suitable for commercial use.

Care should be taken not to place product near heat sources.

Duty of care:

While every attempt is made to supply product using quality components there is always a need from consumer to help ensure long life of use for product.

Instruction manuals are designed with the nature of materials used in construction of the product.

*Proper use of item only what it is designed to do

*Regular maintenance and cleaning

In areas of high content of salt air, pollution & moisture require more frequent cleaning.

Claim management:

To make a warranty claim, customers can either contact the retailer where the purchase was made or Furniture Solutions on contact details below.

Proof of purchase will be required before proceeding with any claim. In the case of product defects providing photos may be able to speed up processing of the claim.

Note costs associated with the warranty claim, other than the rectification of the fault, are the responsibility of the claimant, except those required under the Australian Consumer Law.

The benefits provided to the consumer by the warranty are in addition to other rights and remedies available to the consumer under the law.

If missing parts please refer to assembly instructions for identification of said part and contact either of the above.

Our goods come with guarantees that cannot be excluded under the Australian Consumer Law. You are entitled to a replacement or refund for a major failure and for compensation for any other reasonably foreseeable loss or damage. You are also entitled to have the goods repaired or replaced if the goods fail to be of acceptable quality and the failure does not amount to a major failure.